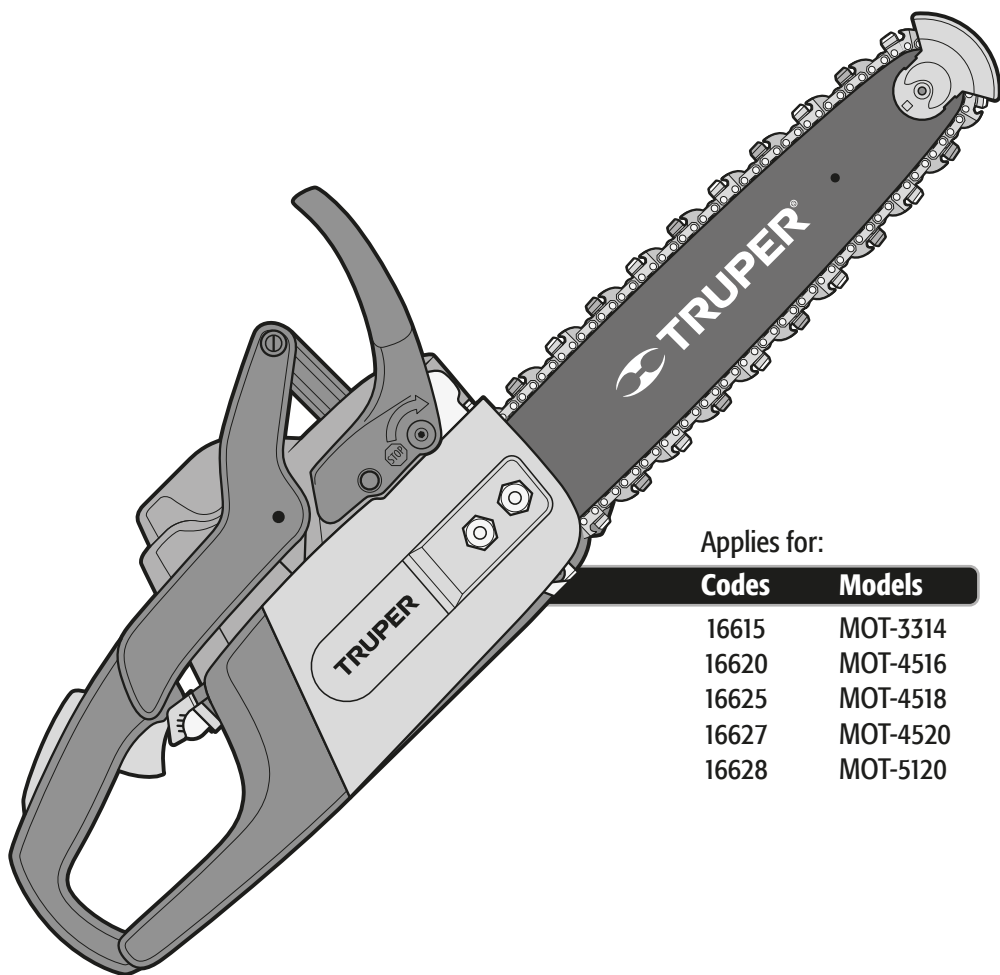


Manual  
**Chainsaw**

**12 500 RPM**  
Speed



Applies for:

Codes	Models
16615	MOT-3314
16620	MOT-4516
16625	MOT-4518
16627	MOT-4520
16628	MOT-5120

**CAUTION**

Read the user's manual thoroughly before operating this tool.



Technical Data .....	<b>3</b>	Shut Off .....	<b>13</b>
Fuel Specifications .....	<b>3</b>	Cutting Operations .....	<b>13</b>
 General Motor Tools Safety Warnings .....	<b>4</b>	Felling and Bucking .....	<b>14</b>
 Safety Warnings for Chainsaws .....	<b>5</b>	Trimming and Pruning .....	<b>16</b>
Parts .....	<b>7</b>	Adjustments and Maintenance .....	<b>17</b>
Safety Devices .....	<b>8</b>	Troubleshooting .....	<b>21</b>
Fuel and Oil Supply .....	<b>9</b>	Authorized Service Centers .....	<b>23</b>
Bar and Chain Mounting .....	<b>10</b>	Warranty Policy .....	<b>24</b>
Start Up .....	<b>12</b>		

## CAUTION


To gain the best performance of the tool, prolong the duty life, make the Warranty valid if necessary, and to avoid hazards of fatal injuries please read and understand this Manual before using the tool.

Keep this manual for future references.

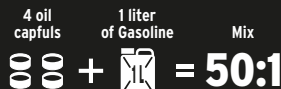
The illustrations in this manual are for reference only. They might be different from the real tool.


## Use and care recommendations




 Use gasoline mixed with **2-STROKE** motor **OIL**.  
A wrong mix may cause the chainsaw to throw a rod, causing expensive repairs!

4 oil capfuls + 1 liter of Gasoline = 50:1 Mix



 Do not use a fuel **MIX** that has been stored longer than 15 days.

 **ALWAYS** operate your chainsaw at **MAXIMUM POWER** with the trigger **FULLY** tightened

 Perform periodic **MAINTENANCE** to your machine (page 17).

# Technical data



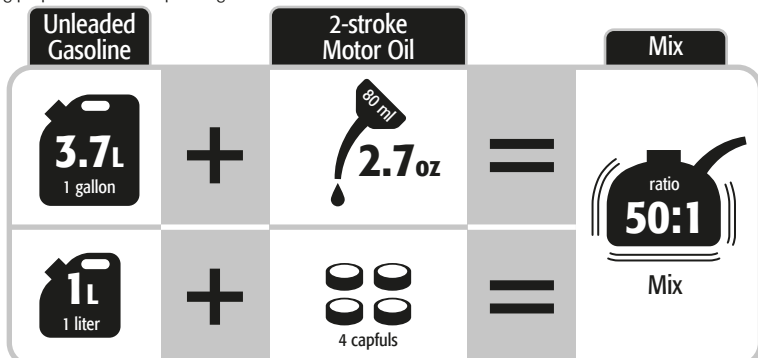
	MOT-3314	MOT-4516	MOT-4518	MOT-4520	MOT-5120
Codes •	16615	16620	16625	16627	16628
Description •	Chainsaw				
Net Weight (without bar) •	10.14 lb		10.8 lb		11.7 lb
Bar Length •	14"	16"	18"	20"	
Chain Pitch •	3/8"	0.325"			
Chain Gauge •	0.05"				
Drive Sprocket Wheel •	6 sprockets	7 sprockets			
Motor Cylinder Capacity •	33 cc		45 cc		51 cc
Motor Rated Power • (ISO 7293)	1.5 Hp		2.2 Hp		2.7 Hp
Maximum Motor Speed •	12500 RPM				
Chain Speed	64.9 ft/s	68.2 ft/s			
Motor Idle Speed •	From 2 600 RPM to 3 400 RPM				
Fuel Tank •	19.4 oz				
Chain Oil Tank •	11.83 oz				
Vibration (ISO 7505)	front handle • rear handle	13.1 ft/s <sup>2</sup> 14.4 ft/s <sup>2</sup>	11.4 ft/s <sup>2</sup> 25.2 ft/s <sup>2</sup>		
Work Cycle •	30 minutes' rest per each tank consumed. Maximum 6 hours daily.				

## Fuel Specifications

- The chainsaw is built with an air-cooled, 2-stroke motor using unleaded gasoline, high quality self-mixing oil with fuel stabilizer specified for air-cooled 2-stroke motor.
- The motor is certified to function with unleaded gasoline for vehicles with an 87 ((R+M)) octane-rating or higher.
- Do not use any type of pre-mixed gasoline with oil purchased in gas stations, like the one fit for motorcycles.
- DO NOT use automotive oil, nor outboard 2-stroke motor oil.
- The mix ratio shall be 50 parts gasoline per 1 part oil (ratio 50:1). Prepare the mix in a gasoline approved container. Always mix thoroughly before pouring in the motor tank.

**CAUTION** Do not use fuel mix that has been stored more than 15 days. Mix only small amounts.

**WARNING** Never smoke near fuel or the area where gasoline is being filled up nor where the mix with oil is being prepared or when operating the chainsaw.



To extend the useful life of the motor use TRUPER synthetic oil for 2-stroke motors (ACES-2, ACES-5 o ACES-20).

## Keep your work area clean, tidy and well lit.

**CAUTION** Cluttered and dark areas may cause accidents.



## Never use the tool in explosive areas or in the presence of flammable liquids.

**DANGER** Before starting the motor keep the tool at least 9 meters (30 feet) away from the fill up area.



## Keep children and passersby at a safe distance while operating the tool.

**WARNING** Distractions could cause losing control and cause accidents.



## Avoid contact with power lines and circuits.

**DANGER** Find and avoid power lines and circuits, especially hidden wiring as well as any grounded object.



## Stay alert, use care and common sense.

**CAUTION** Familiarity with the tool operation could lead to distractions. It could cause accidents.

## Refrain from using the tool if tired or under the influence of drugs, alcohol or medication.

**DANGER** Being momentarily distracted while using the tool could cause severe personal injury.

## Operate the tool with guards and protection devices in place and in good working condition.

**WARNING** Failure to comply with this warning is a hazard of severe personal injury.

## Do not force the tool.

**CAUTION** Working within the tool's working design assures a better and safer job.



## Keep the tool in a safe place and out of the reach of children.

**WARNING** Motor powered tools are dangerous to inexperienced people.



## Wear proper clothes.

**WARNING** Loose clothes, jewelry or long hair could get caught in the mobile parts.



## Keep hands away from rotating and/or mobile parts.

**WARNING** Failure to comply with this warning is a hazard of severe personal injury.



## Do not operate the tool in enclosed areas.

**DANGER** Avoid breathing accumulated carbon monoxide, a potentially deadly odorless toxic gas.



## Wear adequate protective safety accessories.

**CAUTION** Wear eye protection, dust mask, non-skid safety shoes, helmet and ear plugs. These safety gears reduce the risk of injury.



## Turn off the tool before adjusting, changing accessories or storin.

**WARNING** Double check the tool switch is in the off position.

## Refrain from operating the tool if the switch is not working or is not properly assembled.

**WARNING** Failure to complain with this warning is a hazard of personal injury. Immediately send it to a **TRUPER** Authorized Service Center.

## Do not overreach.

**CAUTION** Good balance and support lead to better controlling the tool in unexpected situations.

## Avoid the tool to unintentionally start.

**WARNING** Double-check the tool motor is off before maintenance or putting it away.



## Remove brackets before turning on the tool.

**DANGER** Additional tools or vices installed in a rotating part could cause severe personal injury.

## Service the tool and double-check it is in good working conditions before operating.

**CAUTION** Carefully check mobile parts, alignment and assembly. Do it periodically. Look for any damaged element or part not working properly. Repair immediately in a **TRUPER** Authorized Service Center.



## Accessories.

**CAUTION** Use only accessories or spare parts indicated in this Manual or certified by **TRUPER**.

## Never leave a running tool unattended.

**DANGER** Turn off and disconnect the tool after using. Set it in a safe position to avoid severe injury.

## Never smoke in the proximity of fuel.

**DANGER** Do not smoke in the proximity of the fuelling area or when using the tool.



## Do not touch parts with high temperatures.

The surface of the engine and the exhaust reach high temperatures during the operation of the tool.

## Service and repair.

Always go to a **TRUPER** Authorized Service Center to use identical spare parts and maintain the security of the tool.

## General

• Remember, safety is a combination of common sense, an alert mind and knowledge of the use of this tool.

**⚠ CAUTION** • Read carefully the Manual before starting to use the chainsaw. Pay attention to the safety rules, the alert symbols and the danger, warning and attention notices in the instructions and in the labels adhered to the tool. These safety rules are meant to alert the user and prevent possible injuries that can be fatal. However, these do not eliminate the danger implied in a faulty operation of the chainsaw. If the chainsaw is used correctly and only for the specified use, it will deliver many years of safe and reliable service.

• Familiarize yourself with the chainsaw with the help of this Instructions Manual. Save it in a safe and handy place to consult frequently and to teach the future chainsaw operators. Learn the uses, limitations as well as the possible specific risks.

**⚠ WARNING** • Chainsaws are designed exclusively to cut wood. Do not try to cut any other type of material.

**⚠ DANGER** • Never allow people without instructions to operate the chainsaw.

• Operate the chainsaw only when visibility and light conditions are adequate to see clearly.

## Fuel Handling

- Never smoke close to fuel, nor in the gasoline fill up zone or where the mix with oil is being prepared or when operating the chainsaw. 
- To reduce the risk of fire or burns handle fuel with care. It is very flammable. 
- Prevent your skin from having contact with gasoline and oil.
- Protect your eyes to prevent spills of gasoline or oil. In the event of accidental contact wash eyes immediately with clear water. If irritation persists consult with your doctor.
- Mix and store fuel in a dedicated gasoline container.
- Mix fuel outdoors away from sparks or flames.
- Before supplying fuel to the chainsaw turn off the motor and wait until the motor cools down.
- Before operating the chainsaw, wipe clean all the fuel that could have spilled in the chainsaw.
- Check for fuel leaks. Correct any leak before using the chainsaw to prevent fire or burn injuries.
- Stay away from the filling up area at least at a 30 feet away before starting the motor.
- Never, ever burn spilled fuel to eliminate it.

## To Prevent Kickback

Kickback is the sudden and strong movement outwards of the running tool from the cut and in the operator direction. It can cause the operator to loose control and cause a severe body injury. Usually it is caused when the nose of the bar touches an object or the cutting chain is caught in the material about to be cut. To prevent kickback, take the following caution measures:

• Keep all the guards and safety devices incorporated to the chainsaw in place and in good repair.

• When operating the chainsaw stay alert and do not allow that being familiar with the use of the machine make you pay less attention while using the tool.

**⚠ WARNING** • Use both hands to hold the chainsaw firmly when the motor is running. Set the right hand in the rear handle and the left hand in the front handle. Both handles shall be grasped with the fingers, having the thumbs bent below the handles (A). This way of grasping has less possibility to fail in case of a kickback. Keeping the thumbs in the same side of the fingers is dangerous because it lessens greatly controlling the chainsaw in case of kickback.

• Operate the chainsaw setting the left arm rigid and totally extended.

**⚠ DANGER** • DO NOT make contact with the chain bar nose and the material to be cut or any other obstacle like trunks, branches, fences or any other thing it can hit when operating the chainsaw.

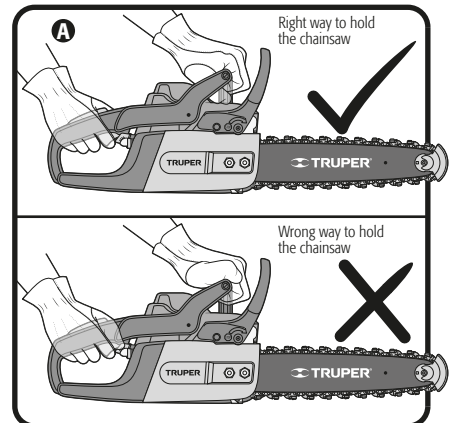
• Always cut with the motor running its maximum speed. Press the throttle trigger completely and keep a stable cutting speed.

**⚠ DANGER** • Do not try to reach or cut objects that are out of reach or above chest height.

• Keep the cutting chain well-honed and in optimal conditions.

• Use only spare bars and chains specified by

**TRUPER**



### Before operating the chainsaw

**⚠ DANGER** • Never use the chainsaw when tired, ill or under the effects of any drug, alcohol or medicine.

- Wear adequate clothes to operate the chainsaw: Tight clothes, thick slacks, non-skid safety boots, heavy-duty gloves, safety glasses or protective eyeglasses with side protection under ANSI Z87.1 standard; hearing and head protection. Overalls, jeans and chaps as well as wide-vision full mask are recommended.



**⚠ WARNING** • Remove any accessory or loose clothing that could get trapped in the moving cutting chain. Fasten your hair so it stays above your elbows.

- Double check the chainsaw is in perfect working conditions. Do not turn on if mal adjusted or not fully assembled so it can run in a safe manner.
- Make sure the cutting chain stops moving when releasing the throttle trigger. In the event the chain does not stop, adjust the carburetor (page 20). If after adjusting the carburetor the chain is not stopping when the throttle trigger is released, turn off the chainsaw and take it to a **TRUPER** Authorized Service Center to solve the problem.
- Do not turn on the chainsaw if finding in it any accessory or device not specified in this Instructions Manual.
- Double check the chainsaw handles are clean, dry and free of oil or fuel.
- Confirm the work area is open and well ventilated.

### When Operating the Chainsaw

- Keep all the work colleagues at a safe distance from the chainsaw while starting it or operating. A safe distance is 15 feet between the workers.
- Double check the passersby or animals are even farther away from the work area before starting and operating the chainsaw. A safe area is at least double than the tallest trees' height in the felling zone.
- Make sure the cutting chain is not making contact with any object before starting the motor.

**⚠ WARNING** • Keep both feet firmly supported on the ground. Do not operate the chainsaw if standing on an unstable surface like ladders, scaffolding, trees, etc. Only highly qualified staff can operate the chainsaw up in a tree and with the adequate safety equipment.

- Do not start cutting until having the work area clear, good footing on the ground and an escape route considering the trajectory the falling tree will take.

**⚠ DANGER** • Never operate the chainsaw single-handedly. Otherwise, the operator and all the people present can get injured.

- Keep every part of your body away from the chain when the motor is running.
- Keep every part of your body away from the muffler. Otherwise it can cause severe burns.
- Do not cut vines or too small undergrowth (smaller than 3" diameter).

**⚠ DANGER** • Use extreme caution when cutting small undergrowth and young trees. The thin material can get caught in the chainsaw's chain and get thrown against you with force.

**⚠ WARNING** • Use extreme caution when cutting branches caught under pressure. When cutting, the branch can go back with strength to its original position and in its trip hit the operator. Consider this measure to be all the time out of the reach of the branch.

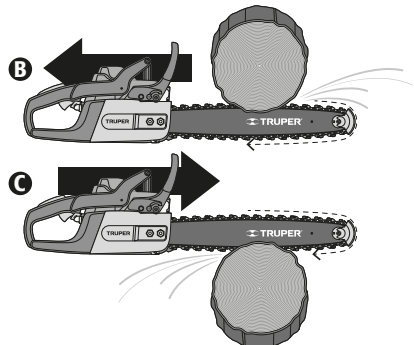
**⚠ CAUTION** • Keep your attention focused to the chainsaw reaction when cutting large logs. Due to the force of reaction the chainsaw can be pushed towards the operator (**B**) or pulled towards the trunk (**C**) as per the movement direction of the chain and depending on the cutting bar edge (upper or lower) that is being used to cut.

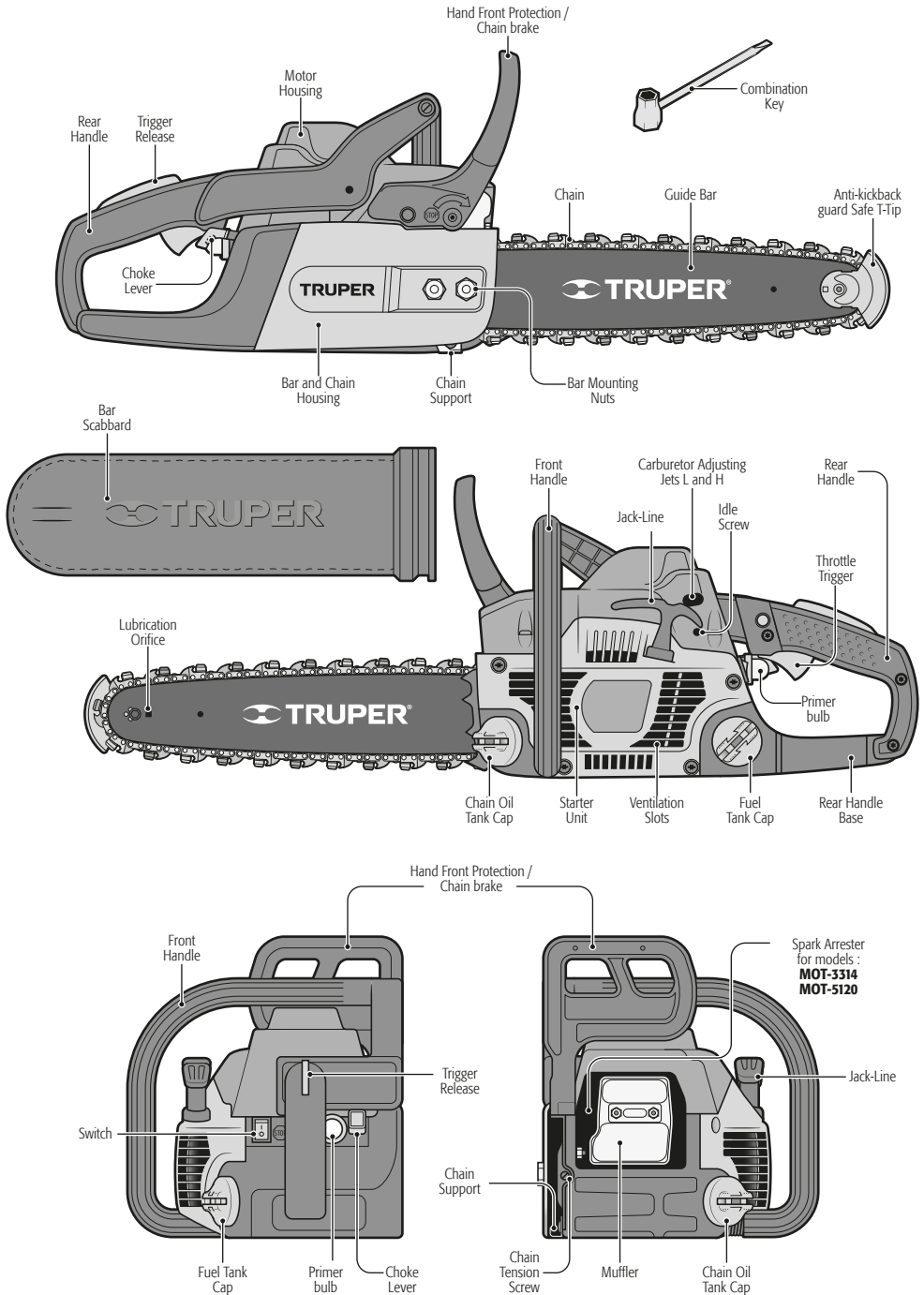
### After Operating the Chainsaw

**⚠ CAUTION** • Always carry the chainsaw with the motor off and the cutting chain brake enabled; the cutting bar backwards and with its scabbard and the muffler away from the body.

**⚠ WARNING** • Shut off the motor and enable the chain brake before setting the chain idle. DO NOT leave the motor running unattended.

**⚠ CAUTION** • Service and repairs in the chainsaw shall be carried out only by highly trained personnel. A poorly performed service job can cause an accident with fatal consequences (for example, if inadequate tools are used to dismount or support the flywheel to remove the clutch can cause a structural damage and it may burst).





rear view

front view

## Chain Brake

• The chain brake (A) function is to swiftly stop the chain displacement and protect the hand if kickback strikes (see page 5). It is designed considering the predictable kickback movement that throws the chain bar upwards and towards the operator, so that when the brake is pushed with the left hand, the chain stops immediately.

**⚠ CAUTION** • Test the chain brake each time you turn on the chainsaw and before starting the cut:

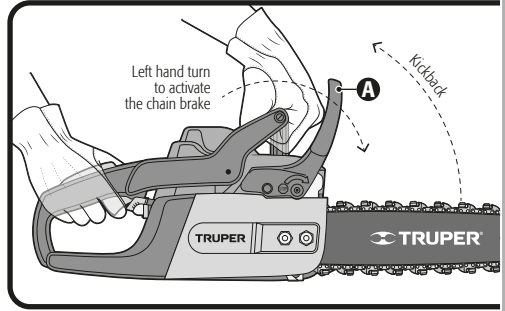
• With the motor running and pressing the throttle trigger push with the back of your left hand the chain brake towards the chain bar. **⚠ CAUTION** Upon doing this maneuver DO NOT release the front handle. Only turn your left hand forward until making contact with the brake and push it.

**⚠ WARNING** • If by any chance the brake would not stop the chain DO NOT operate the chainsaw. Turn it off and take it to a **TRUPER®** Authorized Service Center for repairs.

• If the brake works correctly the cutting chain will stop immediately. To set the brake back into the running position, pull the brake lever towards you un hearing a click.

**⚠ WARNING** • Remember the chain brake will not prevent a kickback. It is a safety device to prevent possible injuries after a kickback is produced.

**⚠ WARNING** • Remember that even with adequate maintenance and used in field use conditions, the chain brake functioning cannot be considered totally safe. Stay alert at all times. Use adequate cutting techniques and always use all the safety devices.



## Anti-Kickback Protection

• The guide bar tip is a kickback-generating zone when making contact with an obstacle therefore, it is built with an anti-kickback protection (B).

• To prevent kickback when cutting horizontally and leveled with the ground, the protection shall always be on the bar cover side and the chain.

**⚠ WARNING** • Unexperienced people shall never operate the chainsaw without the anti-kickback protection set in the bar tip.

**⚠ DANGER** • Only if the user has professional experience and can use the adequate techniques, can remove the protector when passing the bar tip into the cut, when perforating or cutting logs thicker than the length of the bar. The protection shall always be mounted back after finishing those types of cuts.

## Cutting Chain for Moderate Cuts (C)

• This type of chain is built with cleaning sprockets (depth gauge) set in front of each cutting sprocket. This prevents the sprockets go too deep in the wood and get stuck causing kickback.

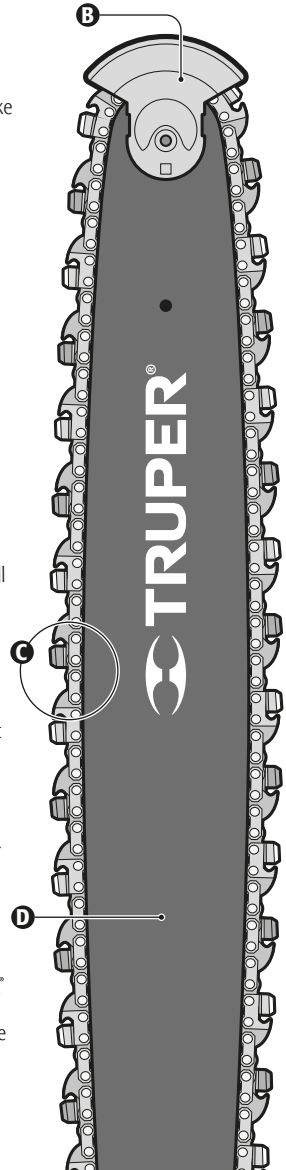
**⚠ WARNING** • To replace worn chains, use only chains certified as moderate kickback.

**⚠ WARNING** • Consider that as the chain wears out due to normal use or the honing process, it loses the capability to reduce the possibility of kickback. The user shall use more caution.

## Guide Bar

**⚠ WARNING** • Replace the guide bar (D) with an identical **TRUPER®** brand bar with the kickback protector mounted in the tip.

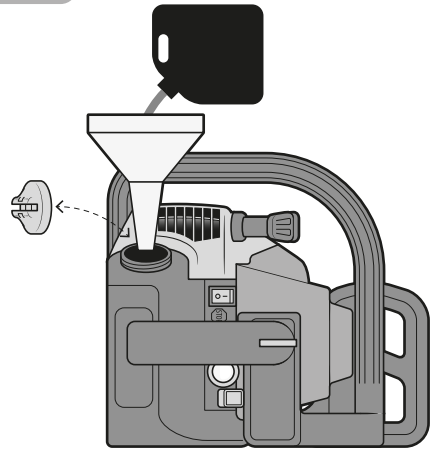
**⚠ CAUTION** • The lower the chain bar's tip radius is, its capacity to diminish the possibility of a kickback will be lower.





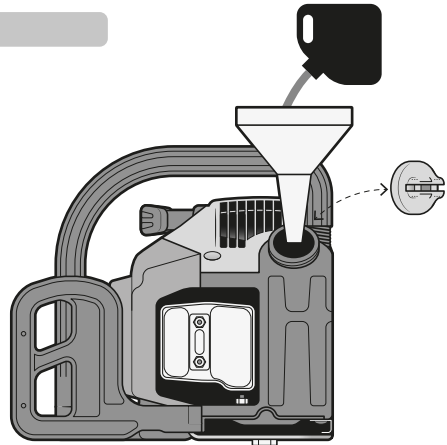
## Fuel Supply for the motor

- Follow the Safety Warnings for handling fuel (see page 5).
- Lay down the chainsaw on its side so that the fuel and oil caps face upwards.
- Wipe clean the surface of the fuel tank cap to prevent contamination.
- Slowly loosen the fuel tank cap.
- To prevent spilling, use care to pour the fuel mix into the tank. **CAUTION** Follow the fuel specifications (See page 3).
- Before covering the fuel tank check and wipe clean the joints.
- Set immediately the fuel tank cap. Hand-tighten the cap.
- Wipe clean all the fuel spillage.



## Oil Supply for The Bar and Cutting Chain

- Use oil specified for bars, chains and the lubrication systems, especially formulated to perform in a wide range of temperatures without the requisite of dilution (similar to SAE 15W-40 or SAE 10W-30).
- The chainsaw shall use approximately one tank oil per each of fuel tank consumed.
- **CAUTION** Do not use dirty, used or contaminated oil. The oil pump, bar or chain may get damaged.
- Lay down the chainsaw on its side so that the fuel and oil caps face upwards.
- Wipe clean the surface of the oil tank cap to prevent contamination.
- Slowly loosen the oil tank cap.
- Use care to prevent spillages in the tank.
- Before covering the oil tank check and wipe clean the joints.
- Set immediately the oil tank cap. Tighten by hand.
- Wipe clean all the oil spillage.

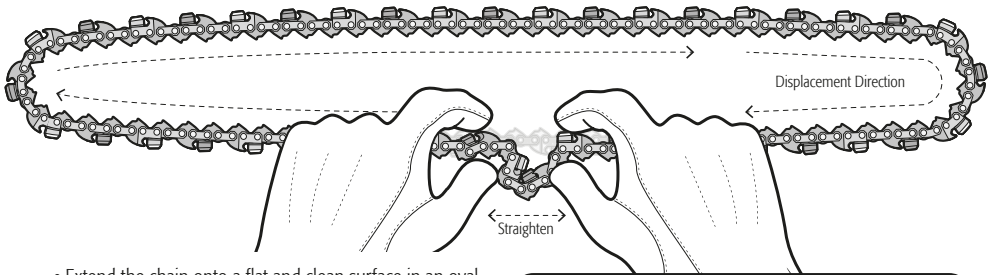
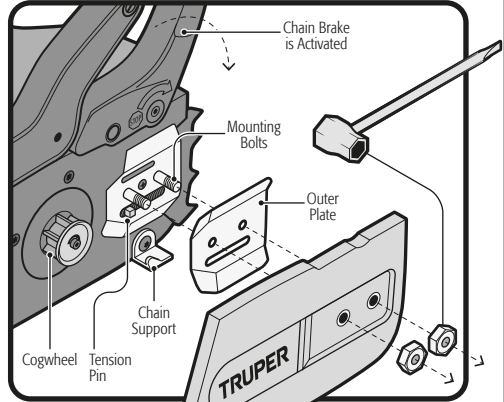


**⚠ WARNING** • Never start the motor without installing the guide bar first, the cutting chain and the bar guard and chain and clutch drum. If these parts are not in place the clutch may shoot out or burst exposing the user to severe injuries.

• Set the switch in the OFF position.  
• Pull the chain brake backwards to assure it is in working position (see page 8).

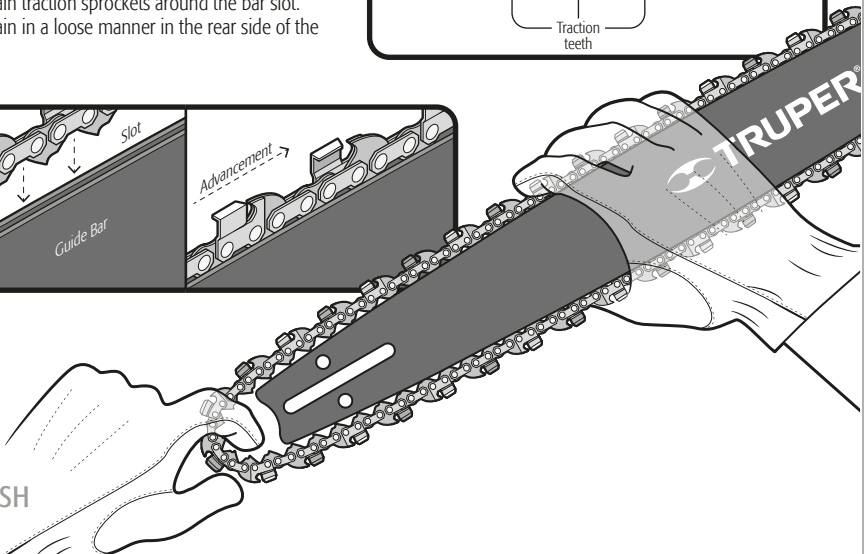
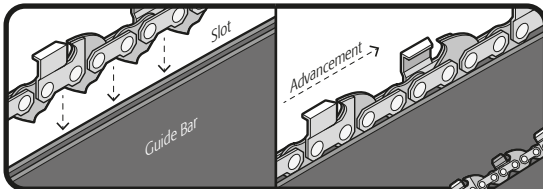
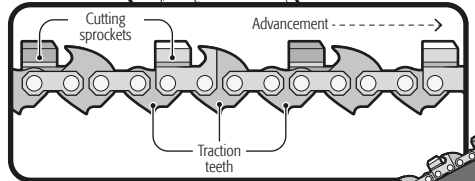
**⚠ CAUTION** • Wear heavy-duty protective gloves to manipulate the chain safely and prevent cuts.

• Remove the bar mounting nuts with a combination key or 5/8" hex key.  
• Remove clutch cover and the outer plate in the guide bar.

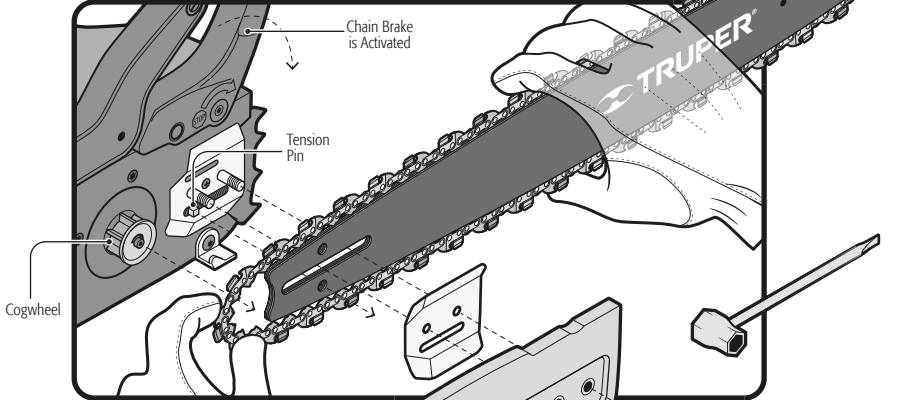


• Extend the chain onto a flat and clean surface in an oval shape, together with the chain bar and straighten any twisted link. The cutting sprockets shall face the chain displacement direction, otherwise reverse the chain position.

• Set the chain traction sprockets around the bar slot.  
• Set the chain in a loose manner in the rear side of the bar.

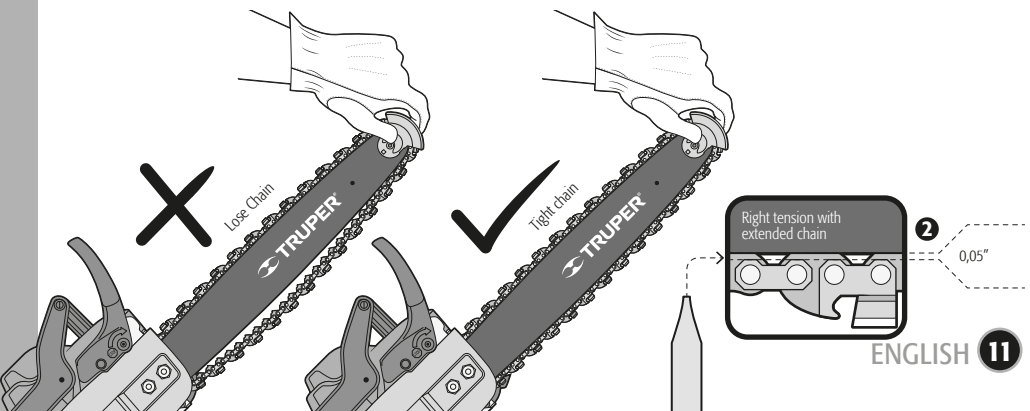
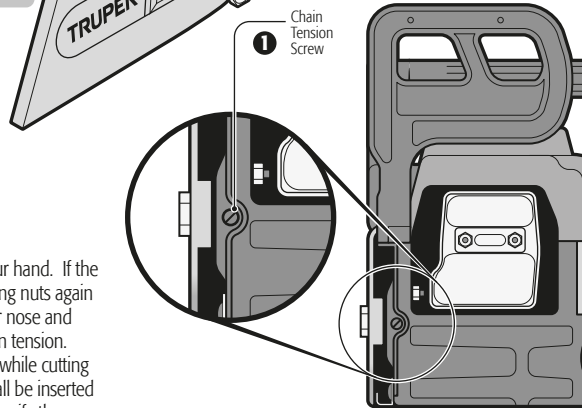


- Lift the bar with the chain and fix it to the chainsaw passing the mounting bolts through the bar slot and the loose-fitting space between the bar and the cogwheel. When setting the bar in the bolts double check the tension pin is inside the chain tension orifice.
- Mount outer plate in the guide bar with its angles facing outward of the bar and the large slot facing down to go through the chain tension pin.
- Mount the clutch cover and tighten the mounting nuts by hand so that the bar is free to adjust the chain tension.



## Chain Tensioning

- Use a flat screwdriver to turn the chain tension screw (1) until the chain gets adjusted to the bar without any looseness and with the traction links inserted in the bar slot.
- Lift the cutting bar nose to verify if there is still some looseness in the chain. If that is the case, turn again the tension screw 1/2 turn. Repeat the procedure until there is no looseness between the chain and the bar.
- Keep the cutting bar nose risen while tightening the nuts with the key.
- To verify the chain is not too tight try moving it with your hand. If the chain gets stuck or is difficult to move loosen the mounting nuts again and turn the tension screw only 1/4 of a turn. Lift the bar nose and tighten the mounting nuts before checking back the chain tension.
- To check the tension in the chain when heat produced while cutting has distended it, the flat nose of the combination key shall be inserted between the bar lower side and one of the chain link to verify the looseness is 0.05" (2).

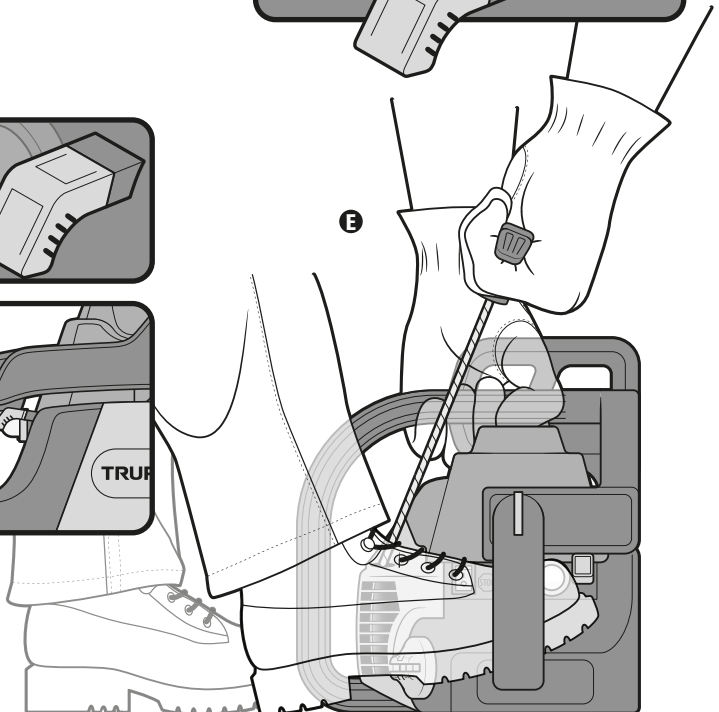
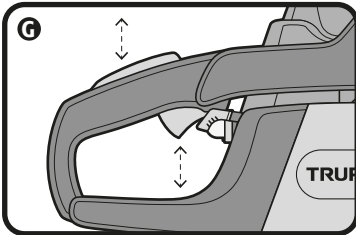
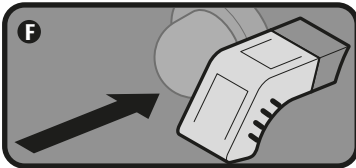
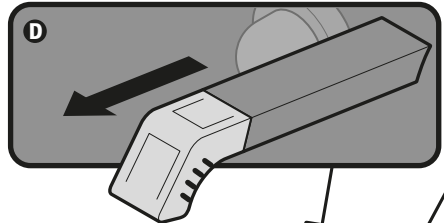
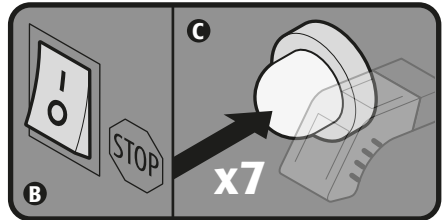
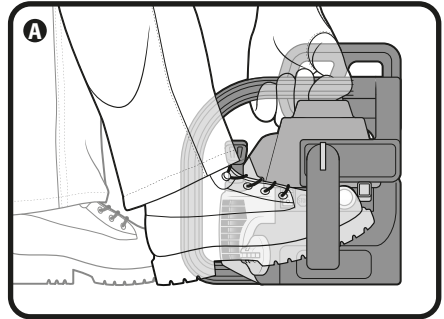


**Motor Start Up**

- Set the chainsaw on a leveled ground where the bar and chain make no contact with the ground or any other object.
- Firmly hold the front handle with your left hand, set the right foot onto the rear handle base (A).
- Pull the chain brake backwards to double check it is in the functioning position (see page 8).

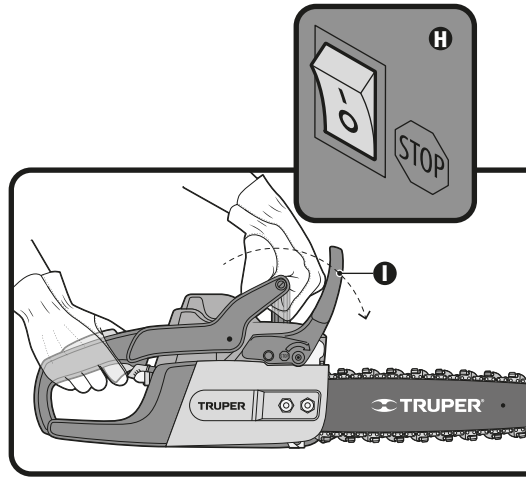
**CAUTION** If the chain starts while the brake is activated the chainsaw may be seriously damaged.

- Set the switch into the ON position (B).
- Press completely and release the primer bulb 7 times (C).
- Pull the choke lever all the way out (D).
- Pull the jack-line (E) until the motor seems to start, but no more than 3 times if the environment temperature is higher than 50 °F. If the temperature is lower, pull the jack-line (until the motor starts, but no more than 5 times.
- Push the choke lever all the way (F).
- Pull again the jack-line (E) until the motor starts.
- Once the motor starts leave it running 30 seconds in that position.
- Press and release the throttle trigger to run the motor idle (G).
- The chainsaw is now ready to cut. Hold it by both handles in the right position (see page 5) and lift it to start working.



## Shutting Off the Motor

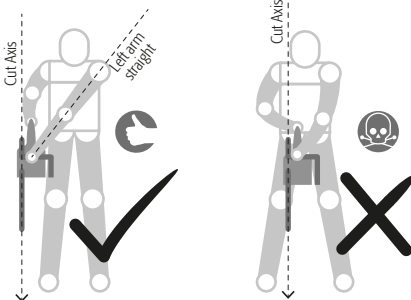
- Release the throttle trigger and leave the motor running slow.
- Set the switch into the OFF position (H).
- Allow the chain to stop before setting the chainsaw onto the ground.
- To gain an additional degree of safety set the chain brake (I) when not using the chainsaw.
- If the chainsaw has not stopped despite being in the OFF position, pull the choke lever completely outwards (figure D in page 12). Activate the chain brake to shut off the motor. Go to a **TRUPER** Authorized Service Center to carry out repairs in the switch before using again the chainsaw and prevent unsafe working conditions and possible severe injuries.
- CAUTION** • Once the chainsaw is off release pressure in the tanks. Loosen the caps of both the oil and fuel tanks. Then tighten the caps back.
- Leave the motor cooling down before storing the unit.



## Cutting Operations

### Right Position for Cutting

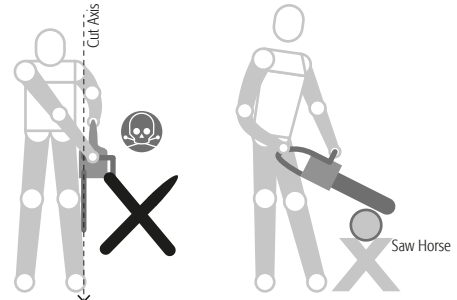
- Both feet shall be supported on firm ground. Body weight well balanced. The left foot shall be slightly forward of the right foot.
- Hold the chainsaw as indicated in the Safety Warnings for chainsaws' section (see page 5).
- Keep the left arm straight. Do not bend the elbow to support in the event a kickback force sets.
- Always keep the cut axis to your right. To keep free your body to cut axis in case of kickback.
- Hold the chainsaw close to the body to prevent tension in arms and back.
- Do not try to hold the chainsaw left-handed.



### Basic Cutting Procedures

If the user has no previous experience in the use of chainsaws, practicing with small logs (not smaller than 8" diameter) is recommended. Support the log onto a sawhorse to get familiar to using the saw. Follow the following technique:

- Adopt the right position in front of the log with the chainsaw running slow.
- Press the throttle trigger to make the motor reach its maximum speed.
- Start the cut setting the chain bar onto the log.
- Keep the motor in its maximum speed at all times.
- Allow the cutting chain do its job applying slight pressure downwards with the chainsaw. Do not try to force the cut at any time, otherwise the chain, the bar or the motor could get damaged.
- Release the throttle trigger as soon as finishing the cut. This way the motor will run slow avoiding unnecessarily wearing out the chain, bar or motor.



## Restrictions for felling trees. Do not try it for any reason!



- Do not cut trees under rain or strong winds. Wait to the weather to calm down.
- Do not cut trees with people or animals in the zone. The safe distance for passersby is explained in the section "When operating the Chainsaw" in the Safety Warnings for using chainsaw (page 6).
- Do not cut trees if the felling line has not been previously calculated. Avoid being crushed by a falling tree!

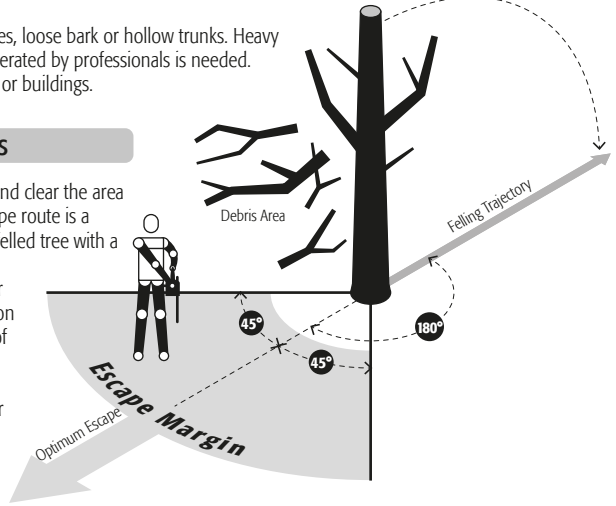
## Limits for tree felling. Leave this jobs for the professionals!



- Do not cut extremely thin trees.
- Do not cut big trees with rotten branches, loose bark or hollow trunks. Heavy-duty pushing or dragging equipment operated by professionals is needed.
- Do not cut trees close to electric wiring or buildings.

## Preparations for felling trees

- Plan ahead at least two escape routes and clear the area to prevent blockages. The optimum escape route is a 180° off the trajectory calculated for the felled tree with a 45° margin towards both sides.
- To calculate the fall of the tree, consider the wind direction and strength, inclination and balance of the tree and the placing of its larger branches.
- Double check the tree has no dead branches that could fall over the operator while cutting.



## How to cut a tree

- Cut a notch 1/3 diameter of the trunk in the side calculated it will fall.
- This notch shall be made through two cuts. The first one horizontal and the second one at 40°.
- **CAUTION** • It is important to make the cuts in the previously mentioned order to prevent a piece of residual wood lean on the chain bar and trap it or shoot it with force into an undetermined direction.
- The third cut shall be made in the opposite side of the notch. It shall be horizontal and shall stay 2" minimum above the horizontal notch but not getting to it. Between the notch and the third cut there shall be a 1/10 distance off the trunk diameter to make a hinge that will control the fall of the tree. This way unexpected movement or trajectory is prevented while it falls or the violent separation of the tree from its stump.
- **CAUTION** • Never make the third cut up the notch. Otherwise the tree could fall out of control.
- When cutting trees with a large diameter stop the rear cut before reaching such a depth makes the tree settled and get trap the chain bar.
- Before going on with the cut insert little by little wooden or plastic wedges in the cut to keep it open.

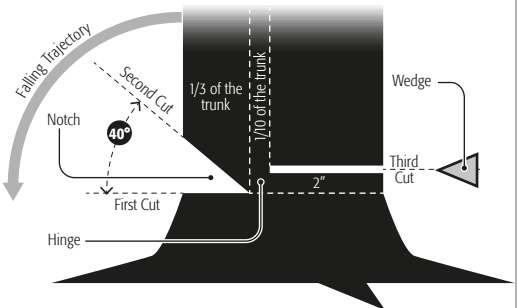
- Inserting the wedges can be enough to make the tree fall. Otherwise the anti-kickback guard in the chain bar nose shall need to be disassembled to insert it in the cut without removing the wedges and continue until a hinge is formed.



**WARNING** • Install again the anti-kickback guard as soon as finishing the cut.

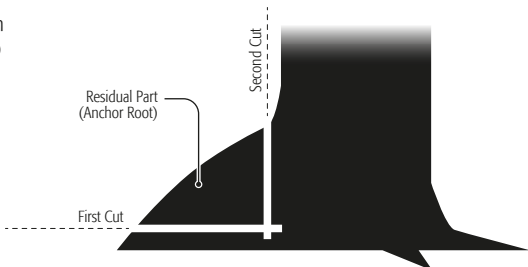
- When the tree starts falling, shut off the chainsaw and set it onto the ground immediately. Use the optimum escape route to get away. Do not stop paying attention in the event of an eventuality.

**WARNING** • While making the third cut watch the three crown constantly. Double check the fall keeps going in the planned direction. If for any reason the tree starts falling in the wrong direction or the chainsaw gets trapped leave it behind and run for dear life!



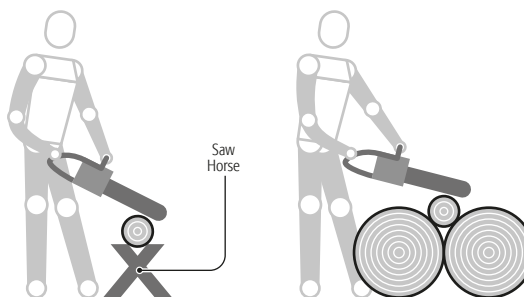
## Cutting Anchor Roots

- Anchor roots are those that stick out too much from the trunk above the ground. When these roots are too big can make felling a tree very difficult. The anchor roots need to be removed before felling the tree.
  - First, make a horizontal cut through the roots, a couple of centimeter off the ground.
  - Then, make a vertical cut downwards and leveled to the trunk to separate the root without trapping the chain bar.
- ⚠ CAUTION** • It is important to make the cuts in the previously mentioned order to prevent a piece of residual wood lean on the chain bar and trap it or shoot it with force into an undetermined direction.



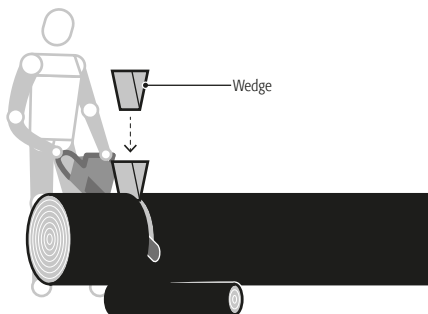
## Bucking

- Bucking is cutting the tree trunk after being felled.
  - When bucking always cut one trunk at a time.
  - Support small trunks onto a saw horse or between two bigger trunks put together to cut.
- ⚠ WARNING** • When in the bucking area the ground is not leveled, stay always in the highest level while cutting to prevent the cut parts will roll upon you.
- ⚠ WARNING** • Stay alert at all moments. Sometimes is hard to predict the direction the trunks will take once being cut. It is not possible to always prevent the chain bar get trapped by the trunks.



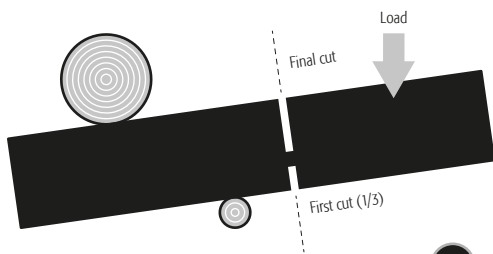
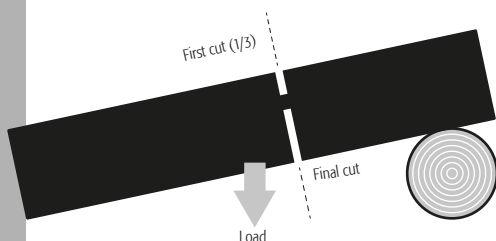
## Bucking with a Wedge

- On very thick trunks is advisable to insert wedges into the cut to prevent the chain bar getting trapped in the trunk when it sits into place while being cut.
  - If the trunk diameter is too big disassemble the anti-kickback guard from the chain bar nose to insert it into the cut without removing the wedges and continue the job.
- ⚠ WARNING** • Install back the anti-kickback guard as soon as finishing the cut.



## Bucking Trunks Under Pressure

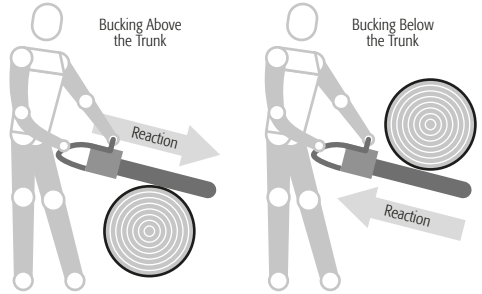
- Make first a 1/3 deep cut with regards to the trunk diameter. Finish with a second 2/3 deep cut in the opposite side. See the diagram to determine where to make the first cut preventing the chain bar gets trapped by the trunk when binding due to its own weight.



## Bucking Above the Trunk

- Start cutting in the upper part of the trunk setting the lower side of the chain bar against the trunk.
- Exercise slight pressure downwards.

**⚠ CAUTION** • Beware of the chainsaw reaction. The reaction force will pull the chainsaw towards the trunk.



## Bucking Below the Trunk

- Start cutting in the lower part of the trunk setting the upper side of the chain bar against the trunk.
- Exercise slight pressure upwards.

**⚠ CAUTION** • Beware of the chainsaw reaction. The reaction force will pull the chainsaw towards the operator.

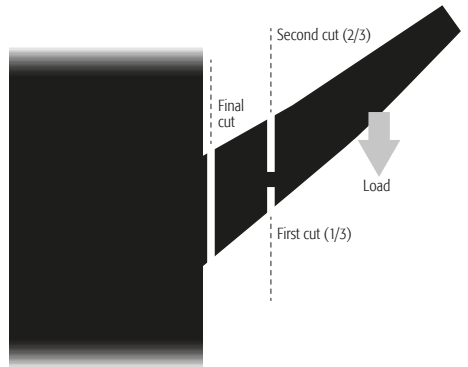
# Trimming and Pruning

- Similar to the felling job, trimming and pruning shall be made using calm, extreme care and following the Safety Warnings (see pages 5 and 6).
- When cutting a branch, the tree shall be between the operator and the cutting chain.

**⚠ DANGER** • Never cut branches using a ladder, hanging from the tree or standing in a platform or trunk. It is extremely dangerous! Call a professional to handle the branches that are out of reach when standing on the ground and that are above your chest height.

## Cutting Operation

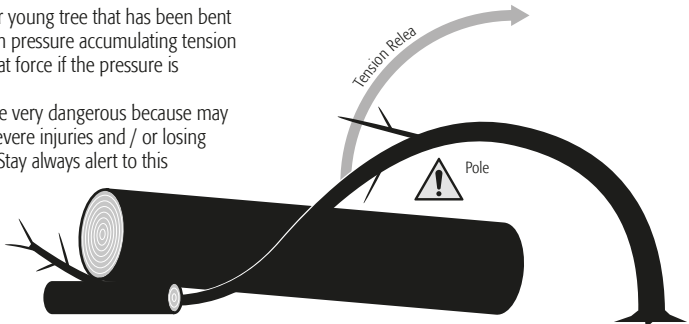
- When cutting a branch do not cut flush to the trunk to prevent that the branch when falling will rip the trunk's bark.
- Make the first cut 1/3 deep with regards to the branch diameter. Then, make a second 2/3 cut in the opposite side.
- Finish cutting the branch with a third cut flush to the trunk to allow bark growth and sealing the cut.
- If the branch is too big cut sections to prevent a violent detachment.



## Poles

- Pole is a trunk, branch or young tree that has been bent by another trunk or branch pressure accumulating tension which is released with great force if the pressure is released.

**⚠ DANGER** • Poles are very dangerous because they may hit the operator causing severe injuries and / or losing control on the chainsaw. Stay always alert to this possibility.





# Adjustments and Maintenance

- Turn off the chainsaw before carrying out any maintenance task.
- Wear heavy-duty protecting gloves.

## Cutting Chain Maintenance

- In order the chainsaw can make fast and smooth cuts, the chain needs periodical and adequate maintainan.

## Honing the Cutting Chain

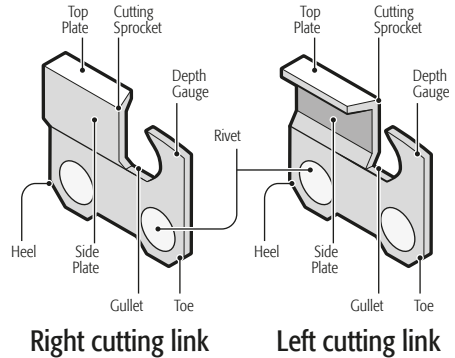
- The chain needs honing if the wood shavings generated when cutting are small and dusty. Also, if forcing the chain bar through the wood is necessary to cut or when the chain cuts sideways.
  - The chain honing shall be carried out having it mounted and tense in the chain bar (see page 11) and with the chainsaw motor off.
  - Use a round file with a 5/32" diameter
- CAUTION** • Be careful and file all the sprockets in the angles specified in the image and the same length specified. Only with uniform sprockets, an adequate and safe cut is accomplished.
- File all the sprockets one by one. First all in the right side and then all in the left side. To pass from one sprocket to the other go through the chain only a little bit so each time you file one sprocket you do it onto the middle of the chain bar.
  - Keep the file leveled to the sprocket upper plate. Avoid tilting or balancing the file. Apply soft but firm pressure moving only towards the front of the sprocket. Separate the file from the sprocket in each return movement.
  - Give only a few passes on each sprocket.
  - Using a wire brush remove the steel shavings produce while shaving.

**CAUTION** • Operating the chainsaw with a poorly honed or dull chain can damage the motor due to the excessive speed and can cause kickback.

**WARNING** • Operating the chainsaw with a damaged chain can cause severe injuries.

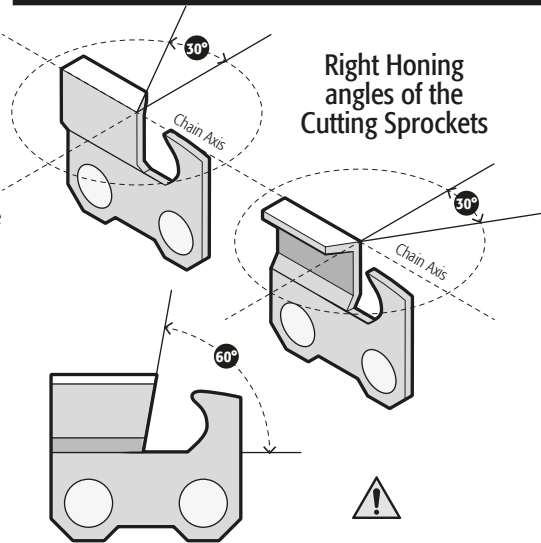
**WARNING** • The cutting chain is very sharp. Use heavy-duty protective gloves to handle it.

**CAUTION** • If the cutting chain is dull due to contacting nails or stones or due to mud or sand present in the wood, take it to a Authorized Service Center to be professionally honed.



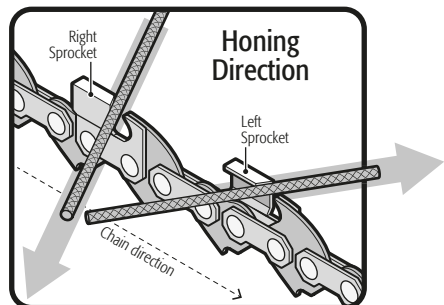
Right cutting link

Left cutting link



Right Honing angles of the Cutting Sprockets

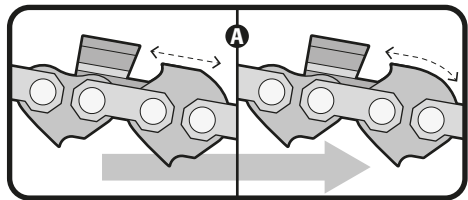
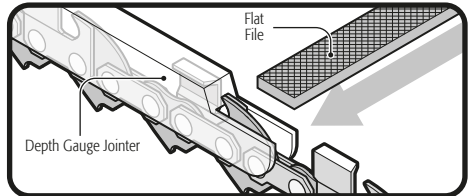
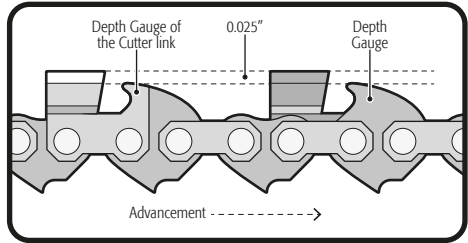
**WARNING** Any other angle different to the specified lessens the cut quality, damages the motor, the bar and chain and increases the risk of a violent kickback.



Honing Direction

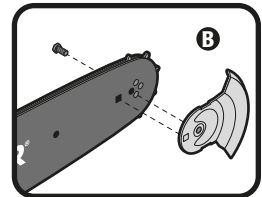
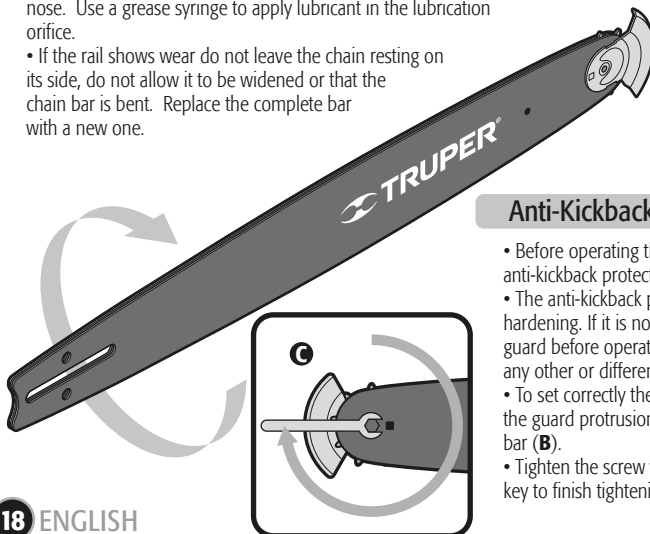
## Chain Depth Gauge

- The chain is built with drive sprockets (depth gauge) placed in front of each sprocket. These prevent the sprockets enter too deep in the wood and get stuck generating kickback.
- Depth gauge shall be checked each time the chain is honed to verify the sprockets have the right height with regards to the drive sprockets upper plate.
- The difference in height of the depth gauge and the sprockets shall always be 0.025".
- When due to normal wear and / or honing the chain, the difference is lower, use a depth gauging instrument and a flat file to make even and verify the difference to 0.025".
- File only the depth gauge. File in the same direction you filed the adjacent sprocket. Use care and do not touch the cutting tip.
- After making even the difference in all the drive, file each sprocket one by one to give them back the original shape making the front round (A).



## Chain Bar Maintenance

- The chain bar shall be cleaned at the end of the cutting journey. Also, checked thoroughly to identify wear or possible damage.
- Apparition of small grooves and lumps in the bar rails are caused by the chainsaw normal use. Make them smooth with a file as soon as identified.
- Clean all debris from the lubrication orifice and the cutting chain slot.
- After a week's work reverse the chain bar to distribute the normal wear and make its useful life longer.
- **CAUTION** Remember, the anti-kickback protection shall be set in the clutch cover side to prevent kickback when making horizontal cuts level with the ground.
- After a week's work lubricate the chain bar if it has a cogwheel in the nose. Use a grease syringe to apply lubricant in the lubrication orifice.
- If the rail shows wear do not leave the chain resting on its side, do not allow it to be widened or that the chain bar is bent. Replace the complete bar with a new one.




## Anti-Kickback Protection

- Before operating the chainsaw double check the anti-kickback protection screws are duly tightened.
- The anti-kickback protection screws have a special hardening. If it is not tight replace it altogether with the guard before operating the chainsaw. Do not try to use any other or different screw type.
- To set correctly the anti-kickback protection fit together the guard protrusion into the corresponding hole in the bar (B).
- Tighten the screw with your fingers and then, use a 5/16" key to finish tightening exactly 3/4 turn (C).

## Air Filter Cleansing

- First, access the air filter by **removing the motor cover**. Follow these steps:
  - Loosen the three screws fastening the chainsaw motor cover.
  - Set the chain brake.
  - Lift the front side of the motor cover over the chain brake lever.
  - Lift the rear side of the motor cover over the rear handle.
- Then pull the choke lever completely outwards to prevent contaminating the carburetor during the cleaning process.
- When removing the air filter use compressed air or a brush in the uncovered area to eliminate soil and sawdust as much as possible.
- Remove the air filter loosening the fixing screw and turning the tip of a flat screwdriver between the filter and its base.
- Relying on the use time, clean the filter superficially only tapping it against a smooth and flat surface to dislodge most of the sawdust and dust particles.
- The air filter can also be cleaned with compressed air. Clean on both sides.
- For a more complete cleansing wash the air filter with a soapy solution, rinse and let dry completely before installing back in the chainsaw.
- If using compressed air to dry it, blow air on both sides of the filter.
- Set back the air filter. Verify it matches and rests perfectly in the base before tightening the screw.

## General Cleaning

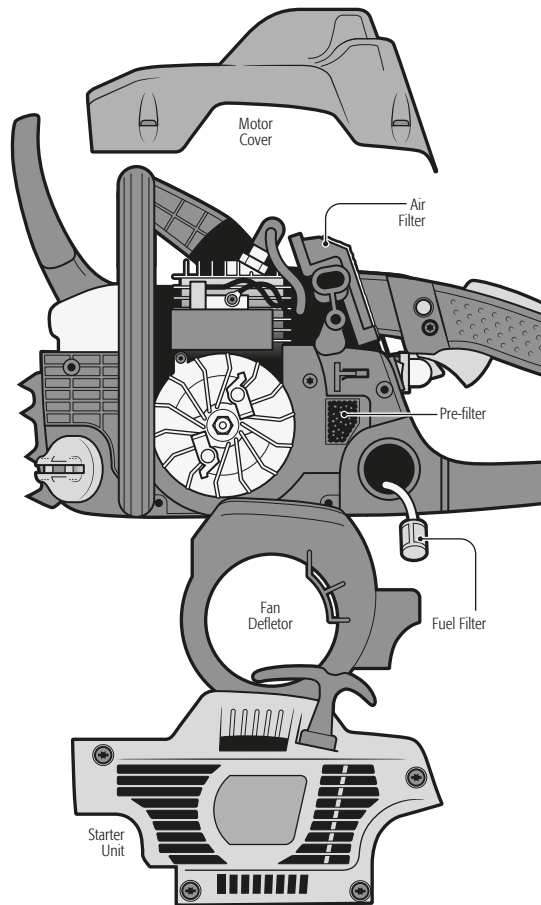
- Using a brush or compressed air clean and clear the ventilation slots in the starter unit each time is necessary.
- Likewise, clean periodically the blades in the motor cylinder and the ventilator blades to remove dirt. Otherwise the motor can get damaged due to overheating.
- Depending on the type of fuel and oil used, or the particular functioning conditions, the exhaust orifice and the muffler can be obstructed with coal deposits. If the chainsaw shows loss of power it will be necessary to eliminate such deposits to restore performance. Take the chainsaw to a  **TRUPER** Authorized Service Center to carry out this service.


## Fuel Filter

- Check periodically the fuel filter. If contaminated or damaged, go to a  **TRUPER** Authorized Service Center to replace it.

## Pre-filter Cleansing

- The pre-filter shall be cleaned a least each 25 tanks of fuel used.
- To gain access to the pre-filter remove the motor cover (the removal process is described in the previous paragraphs).
- Remove the starter unit loosening the four screws.
- Remove the ventilator deflector.
- The pre-filter is cube made of synthetic foam. Remove it to clean it.
- When cleaned set it back in place in the same position.
- Set back the fan deflector and the starter unit.




**WARNING** • Never try to start the motor WITHOUT assembling first all the chainsaw parts. Otherwise the parts can get fractured and shoot out towards the operator. Can also damage the chainsaw and make the Warranty void. 

## Carburetor Adjustment

**⚠ CAUTION** • Adjusting the carburetor shall only be carried out by the  **TRUPER** Authorized Service Center specialists.

- Before they carry out the adjustments to the carburetor verify the air filter and the ventilation slots in the starter unit are clean (see page 19).
- The motor shall be warm before any adjustment to the carburetor.
- The carburetor is shipped from the factory already adjusted. It only admits limited adjustment to the "L" nozzle (moderate injection) and "H" (intense injection) within a 1/2 turn range. Do not force the nozzles beyond the range to prevent severely damaging the motor.
- The nozzles are inside the upper orifice in the motor cover marked with an "L" and an "H" in one side of the jack line. There are plastic caps that prevent turns to the left with regards to the original adjustment.

## Idle speed Adjustment

- The idle speed screw is inside the lower orifice in the motor cover and marked with a "T" in one side of the jack-line.
- If the motor starts, runs and accelerates but cannot run idle, turn to the right the idle screw so that the motor can run idle.
- If the chain advances with the motor set in idle, turn the idle button to the left to reduce the speed so that the chain will not advance.
- If the chain still moves when the motor is in idle speed after adjusting the screw, turn off the chainsaw, stop using it until is adjusted in a  **TRUPER** Authorized Service Center.

**⚠ DANGER** • Using the chainsaw with the chain moving when idle can cause severe personal injuries.

## Spark Plug Replacement

- The motor need a Champion RCJ-4 spark plug with an electrode gap of 0.025". Replace the spark plug with a similar new one at least every six months.
- To replace the spark plug, remove the motor cover (see page 19).
- Using a special wrench turn left and loosen the worn spark plug and remove it.
- Insert the new spark plug. Tighten to the right using your hand
- Finally, tighten again with 1/4 turn using the spark plug wrench.

**⚠ CAUTION** • Use care to prevent damaging the spark plug thread. Otherwise the motor gets seriously damaged.

## Spark Deflector Cleansing

• Spark deflector cleansing shall be carried out by specialists in a  **TRUPER** Authorized Service Center.

## Chain Brake

- Remove the clutch. Inspect and clean the chain brake components. Look for wear in the brake band. Replace it if worn to half of its original thickness 0.024" or if malformed
- Always keep the chain brake mechanism clean and lightly oiled.
- Check the chain support and replace if damaged.

## Chainsaw Storage

When storing the chainsaw one month or longer, consider the following:

- Drain all the contents of the fuel tank into a dedicated gasoline container. All the remaining oil can be used in another 2-stroke motor needing a 50:1 ratio.
- Run the motor until consuming all the fuel and it turn off. This way the residual fuel will be eliminated and will prevent gum residues that damage the fuel system.
- Drain all the oil tank contents off the bar and chain. Use a dedicated container for oil.
- Clean the chainsaw thoroughly.
- Store the unit in a ventilated space away from corrosive agents like corrosive garden chemicals or de-icing salt. Also, away from children reach.
- Comply with all the government rules regarding safety, handling and storing fuel.

Periodic Maintenance	After each use	Every 25 h	Every 50 h	Every 150 h	Every 250 h
General Cleaning	✓				
Air filter cleaning					
Carburetor cleaning *					
Spark plug inspection and adjustment *					
Fuel tank cleaning **					
Fuel filter change **					
Fuel hose replacement **					
Spark arrester cleaning					

\* Trained user or  **TRUPER** Authorized Service Center.

\*\*  **TRUPER** Authorized Service Center.

## Troubleshooting

### Problem

### Cause

### Solution

The engine fails to start.

- The switch is in the OFF position.
- There is no spark.
- The motor is flooded.

- Set the switch in the ON position.
- Check the spark. Remove the motor housing. Remove the spark plug from the cylinder. Connect the spark plug cable and set it onto the motor cylinder with the metal part touching the cylinder. Pull the jack-line and observe the spark in the spark plug electrode. If there is no spark repeat the test with a new spark plug.
- With the ON switch turned off remove the spark plug. Push the choke lever up to the bottom and pull the jack-line 15 to 20 times to eliminate excessive fuel in the motor. Clean the spark plug and set it back in place. Follow the normal start up procedure (see page 12). If the motor is not starting repeat the procedure using a new spark plug.

The motor fails to accelerate adequately.

- The carburetor "L" nozzle needs adjusting.

- Take the chainsaw to a  **TRUPER** Authorized Service Center to adjust the carburetor.


The motor fails to run adequately in high speed.

- The carburetor "H" nozzle needs adjusting.

- Take the chainsaw to a  **TRUPER** Authorized Service Center to adjust the carburetor.

The motor fails to reach maximum speed and / or emits too much smoke.

- The fuel and oil mix is not right.
- The air filter is soiled.
- The spark arrester screen is soiled.
- The carburetor "H" nozzle needs adjusting.

- Replace the fuel mix with a fresh one following the specifications in page 3.
- Clean the air filter (see page 19).
- Clean the spark arrester screen (see page 20).
- Take the chainsaw to a  **TRUPER** Authorized Service Center to adjust the carburetor.

## Problem

## Cause

## Solution

The motor starts, functions and accelerates but cannot be set in idle speed.

- The idle speed is maladjusted.

- Turn right the idle speed screw to increase speed (see page 20).


The chain runs while the motor is in idle speed.

- The idle speed is maladjusted.

- Turn left the idle speed screw to decrease speed (see page 20).

The bar and chain are very hot and releases smoke.

- The chain oil tank is empty.
- The chain is too tight.
- The lubrication system is not working.

- Fill-up the oil tank. Remember it shall be filled up each time the fuel tank is filled up.
- Lower the tension in the chain (see page 11).
- Activate the motor 30 to 45 seconds in medium speed. Stop the motor and look for signals of dripping in the anti-kickback guard or the chain bar. If there is oil present is possible the chain needs honing or the chain bar is damaged. If there is no oil dripping go to a  **TRUPER** Authorized Service Center to repair the lubrication system.


The motor starts, runs but the chain fails to advance.

- The chain brake is activated.
- The chain is too tense.
- The chain and chain bar are not properly assembled.
- The chain and / or chain bar is damaged.

- Release the chain brake (see page 8).
- Lower the tension in the chain (see page 11).
- Assemble properly the chain and the chain bar (see pages 10 and 11).
- Replace the chain and / or the chain bar with other similar.

In the event of any problem contacting a Truper Authorized Service Center, please see our webpage [www.truper.com](http://www.truper.com) to get an updated list, or call our toll-free numbers **800 690-6990** or **800 018-7873** to get information about the nearest Service Center.

- AGUASCALIENTES** **DE TODO PARA LA CONSTRUCCIÓN**  
GRAL. BARRAGÁN #1201, COL. GREMIAL, C.P. 20050, AGUASCALIENTES, AGS. TEL.: 449 994 0537
- BAJA CALIFORNIA** **SUCURSAL TIJUANA**  
AV. LA ENCANTADA, LOTE #5, PARQUE INDUSTRIAL EL FLORIDO II, C.P. 22244, TIJUANA, B.C. TEL.: 664 969 5100
- BAJA CALIFORNIA SUR** **FIX FERRETERÍAS**  
FELIPE ÁNGELES ESQ. RUIZ CORTÍNEZ S/N, COL. PUEBLO NUEVO, C.P. 23670, CD. CONSTITUCIÓN, B.C.S. TEL.: 615 132 1115
- CAMPECHE** **TORNILLERÍA Y FERRETERÍA AAA**  
AV. ÁLVARO OBREGÓN #324, COL. ESPERANZA C.P. 24080 CAMPECHE, CAMP. TEL.: 981 815 2808
- CHIAPAS** **FIX FERRETERÍAS**  
AV. CENTRAL SUR #27, COL. CENTRO, C.P. 30700, TAPACHULA, CHIS. TEL.: 962 118 4083
- CHIHUAHUA** **SUCURSAL CHIHUAHUA**  
AV. SILVESTRE TERRAZAS #128-11, PARQUE INDUSTRIAL BAFAR, CARRETERA MÉXICO CUAUHTÉMOC, C.P. 31415, CHIHUAHUA, CHIH. TEL.: 614 434 0052
- CIUDAD DE MÉXICO** **FIX FERRETERÍAS**  
EL MONSTRUO DE CORREGIDORA, CORREGIDORA # 22, COL. CENTRO, C.P. 06060, CUAUHTÉMOC, CDMX. TEL.: 55 5522 5051 / 5522 4861
- COAHUILA** **SUCURSAL TORREÓN**  
CALLE METAL MECÁNICA #280, PARQUE INDUSTRIAL ORIENTE, C.P. 27278, TORREÓN, COAH. TEL.: 871 209 68 23
- COLIMA** **BOMBAS Y MOTORES BYMTESA DE MANZANILLO**  
BLVD. MIGUEL DE LA MADRID #190, COL. 16 DE SEPTIEMBRE, C.P. 28239, MANZANILLO, COL. TEL.: 314 332 1986 / 332 8013
- DURANGO** **TORNILLOS ÁGUILA, S.A. DE C.V.**  
MAZURIO #200, COL. LUIS ECHEVERRÍA, DURANGO, DGO. TEL.: 618 817 1946 / 618 818 2844
- ESTADO DE MÉXICO** **SUCURSAL CENTRO JILOTEPEC**  
PARQUE INDUSTRIAL # 1, COL. PARQUE INDUSTRIAL JILOTEPEC, JILOTEPEC, EDO. DE MÉX. C.P. 54257 TEL.: 761 782 9101 EXT. 5728 Y 5102
- GUANAJUATO** **CÍA. FERRETERA NUEVO MUNDO S.A. DE C.V.**  
AV. MÉXICO - JAPÓN #225, CD. INDUSTRIAL, C.P. 38010, CELAYA, GTO. TEL.: 461 617 7578 / 79 / 80 / 88
- GUERRERO** **CENTRO DE SERVICIO ECLIPSE**  
CALLE PRINCIPAL MZ1 LT. 1, COL. SANTA FE, C.P. 39010, CHILPANCIÑO, GRO. TEL.: 747 478 5793
- HIDALGO** **FERREPRECIOS S.A. DE C.V.**  
LIBERTAD ORIENTE #304 LOCAL 50, INTERIOR DE PASAJE ROBLEDO, COL. CENTRO, C.P. 43600, TULANCINGO, HGO. TEL.: 775 753 6615 / 775 753 6616
- JALISCO** **SUCURSAL GUADALAJARA**  
AV. ADOLFO B. HORN # 6800, COL: SANTA CRUZ DEL VALLE, C.P.: 45655, TLAJOMULCO DE ZUÑIGA, JAL. TEL.: 33 3606 5285 AL 90
- MICHOACÁN** **FIX FERRETERÍAS**  
AV. PASEO DE LA REPÚBLICA #3140-A, COL. EX-HACIENDA DE LA HUERTA, C.P. 58050, MORELIA, MICH. TEL.: 443 334 6858
- MORELOS** **FIX FERRETERÍAS**  
CAPITÁN ANZURES #95, ESQ. JOSÉ PERDIZ, COL. CENTRO, C.P. 62740, CUAUTLA, MOR. TEL.: 735 352 8931
- NAVARRIT** **HERRAMIENTAS DE TEPIC**  
MAZATLAN #117, COL. CENTRO, C.P. 63000, TEPIC, NAY. TEL.: 311 258 0540
- NUEVO LEÓN** **SUCURSAL MONTERREY**  
CARRETERA LAREDO #300, 1B MONTERREY PARKS, COLONIA PUERTA DE ANÁHUAC, C.P. 66052, ESCOBEDO, NUEVO LEÓN, TEL.: 81 8352 8791 / 81 8352 8790
- OAXACA** **FIX FERRETERÍAS**  
AV. 20 DE NOVIEMBRE #910, COL. CENTRO, C.P. 68300, TUXTEPEC, OAX. TEL.: 287 106 3092
- PUEBLA** **SUCURSAL PUEBLA**  
AV. PERIFÉRICO #2-A, SAN LORENZO ALMECATLA, C.P. 72710, CUAULACINGO, PUE. TEL.: 222 282 8282 / 84 / 85 / 86
- QUERÉTARO** **ARU HERRAMIENTAS S.A. DE C.V.**  
AV. PUERTO DE VERACRUZ #110, COL. RANCHO DE ENMEDIO, C.P. 76842, SAN JUAN DEL RÍO, QRO. TEL.: 427 268 4544
- QUINTANA ROO** **FIX FERRETERÍAS**  
CARRETERA FEDERAL MZ. 46 LT. 3 LOCAL 2, COL. EJIDAL, C.P. 77710 PLAYA DEL CARMEN, Q.R. TEL.: 984 267 3140
- SAN LUIS POTOSÍ** **FIX FERRETERÍAS**  
AV. UNIVERSIDAD #1850, COL. EL PASEO, C.P. 78320, SAN LUIS POTOSÍ, S.L.P. TEL.: 444 822 4341
- SINALOA** **SUCURSAL CULIACÁN**  
AV. JESÚS KUMATE SUR #4301, COL. HACIENDA DE LA MORA, C.P. 80143, CULIACÁN, SIN. TEL.: 667 173 9139 / 173 8400
- SONORA** **FIX FERRETERÍAS**  
CALLE 5 DE FEBRERO #517, SUR LT. 25 MZ. 10, COL. CENTRO, C.P. 85000, CD. OBREGÓN, SON. TEL.: 644 413 2392
- TABASCO** **SUCURSAL VILLAHERMOSA**  
CALLE HELIO LOTES 1, 2 Y 3 MZ. #1, COL. INDUSTRIAL, 2A ETAPA, C.P. 86010, VILLAHERMOSA, TAB. TEL.: 993 555 7244
- TAMAULIPAS** **VM ORINGS Y REFACCIONES**  
CALLE ROSITA #527 ENTRE 20 DE NOVIEMBRE Y GRAL. RODRÍGUEZ, FRACC. REYNOSA, C.P. 88780, REYNOSA, TAMS. TEL.: 899 926 7552
- TLAXCALA** **SERVICIOS Y HERRAMIENTAS INDUSTRIALES**  
PABLO SIDAR #132, COL. BARRIO DE SAN BARTOLOMÉ, C.P. 90970, SAN PABLO DEL MONTE, TLAX. TEL.: 222 271 7502
- VERACRUZ** **LA CASA DISTRIBUIDORA TRUPER**  
BLVD. PRIMAVERA, ESQ. HORTENSIA S/N, COL. PRIMAVERA, C.P. 93308, POZA RICA, VER. TEL.: 782 823 8100 / 826 8484
- YUCATÁN** **SUCURSAL MÉRIDA**  
CALLE 33 #600 Y 602, LOCALIDAD ITZINCAB Y MULSAY, MPIO. UMAN, C.P. 97390, MÉRIDA, YUC. TEL.: 999 912 2451

Codes	Models	Brand
16615	MOT-3314	 <b>TRUPER®</b>
16620	MOT-4516	
16625	MOT-4518	
16627	MOT-4520	
16628	MOT-5120	

**Warranty.** Duration: 1 year. Coverage: parts, components and workmanship against manufacturing or operating defects, except if used under conditions other than normal; when it was not operated in accordance with the instructive; was altered or repaired by personnel not authorized by **Truper®**. To make the warranty valid, present the product, stamped policy or invoice or receipt or voucher, in the establishment where you bought it or in Corregidora 22, Centro, Cuauhtémoc, CDMX, 06060, where you can also purchase parts, components, consumables and accessories. It includes the costs of transportation of the product that derive from its fulfillment of its service network. . Phone number **800-018-7873**. Made in China. Imported by Truper, S.A. de C.V. Parque Industrial 1, Parque Industrial Jilotepec, Jilotepec, Edo. de Méx. C.P. 54257, Phone number 761 782 9100.



# 1 YEAR

Stamp of the business. Delivery date:





1 AÑO

Sello del establecimiento comercial. Fecha de entrega:

**Garantía.** Duración: 1 año. Cobertura: piezas, componentes y mano de obra contra defectos de fabricación o funcionamiento, excepto si se usó en condiciones distintas a las normales; cuando no fue operado conforme instructivo; fue alterado o reparado por personal no autorizado por **Truper**. Para hacer efectiva la garantía presente el producto, póliza sellada o factura o recibo o comprobante, en el establecimiento donde lo compró o en Corregidora 22, Centro, Cuauhtémoc, CDMX, 06060, donde también podrá adquirir partes, componentes, consumibles y accesorios. Incluye los gastos de transportación del producto que deriven de su cumplimiento de su red de servicio. Tel. **800-018-7873**. Made in/Hecho en China. Importador **Truper, S.A. de C.V.** Parque Industrial 1, Parque Industrial Jilotepec, Jilotepec, Edo. de Méx. C.P. 54257, Tel. 761 782 9100.



Marca

Modelos

Códigos

MOT-3314	16615
MOT-4516	16620
MOT-4518	16625
MOT-4520	16627
MOT-5120	16628

En caso de tener algún problema para contactar un Centro de Servicio Autorizado Truper® consulte nuestra página [www.truper.com](http://www.truper.com) donde obtendrá un listado actualizado, o llame al: 800 690-6990 ó 800 018-7873 donde le informarán cuál es el Centro de Servicio más cercano.

- AGUASCALIENTES**  
**DE TODO PARA LA CONSTRUCCIÓN**  
 GRAL. BARRAGÁN #1201, COL. CEMENTAL, C.P. 20050, AGUASCALIENTES, AGS. TEL.: 449 994 0557
- BAJA CALIFORNIA**  
**SUCURSAL TIJUANA**  
 AV. LA ENCANTADA, LOTE #5, PARQUE INDUSTRIAL EL FLORIDO II, C.P. 22244, TIJUANA, B.C. TEL.: 664 969 5100
- BAJA CALIFORNIA SUR**  
**FIX FERRETERÍAS**  
 FERRI ANGELÉS ESQ. RUIZ CORTÍNEZ S/N, COL. PUEBLO NUEVO, C.P. 25670, CD. CONSTITUCIÓN, B.C.S. TEL.: 615 132 1115
- CAMPECHE**  
**TORNILLERÍA Y FERRETERÍA AAA**  
 AV. ALVARO ORREGOÑ #324, COL. ESPERANZA C.P. 24080 CAMPECHE, CAMP. TEL.: 981 815 2808
- CHIAPAS**  
**FIX FERRETERÍAS**  
 AV. CENTRAL SUR #27, COL. CENTRO, C.P. 50700, TAPACHULA, CHIS. TEL.: 962 118 4083
- CHIHUAHUA**  
**SUCURSAL CHIHUAHUA**  
 AV. SILVESTRE TERRAZAS #128-11, PARQUE INDUSTRIAL BARR. CARRETERO CUAUHTEMOC, C.P. 31415, CHIHUAHUA, CHIH. TEL.: 614 434 0052
- Ciudad de México**  
**FIX FERRETERÍAS**  
 EL MONSTRUO DE CORREGIDORA, CORREGIDORA # 22, COL. CENTRO, C.P. 06060, CUAUHTEMOC, CDMX. TEL.: 55 5522 5051 / 5522 4861
- COAHUILA**  
**SUCURSAL TORREÓN**  
 CALLE METAL MECÁNICA #280, PARQUE INDUSTRIAL ORIENTE, C.P. 27228, TORREÓN, COAH. TEL.: 871 209 68 25
- COLIMA**  
**BOMBAS Y MOTORES BYMETSA DE MANZANILLO**  
 BIUD. MICHUE DE LA MADRID #190, COL. 16 DE SEPTIEMBRE, C.P. 28239, MANZANILLO, COL. TEL.: 314 332 1986 / 332 8013
- DURANGO**  
**TORNILLAS ACÚILA, S.A. DE C.V.**  
 MANZARRO #200, COL. LUIS ECHEVERRÍA, DURANGO, DGO. TEL.: 618 817 1946 / 618 818 2844
- ESTADO DE MÉXICO**  
**SUCURSAL CENTRO JILOTEPEC**  
 PARQUE INDUSTRIAL # 1, COL. PARQUE INDUSTRIAL JILOTEPEC, JILOTEPEC, EDO. DE MÉX. C.P. 54257 TEL.: 761 782 9101 EXT. 5128 Y 5102
- GUERRERO**  
**CENTRO DE SERVICIO ECIPISE**  
 CALLE PRINCIPAL MZA 11, COL. SANTA FE, C.P. 39010, CHIHLANCOGRO, GRO. TEL.: 747 478 5793
- HIDALGO**  
**FERRETERÍAS S.A. DE C.V.**  
 LITERATA ORIENTE #04 LOCAL 30, INTERIOR DE PASADAJE ROBLEDO, COL. CENTRO, C.P. 43600, TULANCOGRO, HGO. TEL.: 775 755 6615 / 775 753 6616
- JALISCO**  
**SUCURSAL GUADALAJARA**  
 AV. ADOLFO B. HORN # 6800, COL. SANTA CRUZ DEL VALLE, C.P. 45635, TULANCOGRO DE ZUNIGA, JAL. TEL.: 35 5606 2583 1619 90
- MICHOACÁN**  
**FIX FERRETERÍAS**  
 AV. PASO DE LA REFRIGERACIÓN #310-A, COL. EXHIBICIÓN DE LA HUERTA, C.P. 50850, MORELIA, MICH. TEL.: 443 334 6858
- MORELOS**  
**FIX FERRETERÍAS**  
 CAPITÁN ANZURES #95, ESQ. JOSÉ PERDIZ, COL. CENTRO, C.P. 62740, CUAUTLA, MOR. TEL.: 735 352 8931
- NAVARIT**  
**HERRAMIENTAS DE TEPIC**  
 MAZTLAN #117, COL. CENTRO, C.P. 63000, TEPIC, NAV. TEL.: 311 258 0540
- NEWUEO LEÓN**  
**SUCURSAL MONTERREY**  
 COLUMBIA LAREDO DE ANAHUAC, C.P. 66052, ESCOBEDO, NUEVO LEÓN, TEL.: 81 8352 8791 / 81 8352 8790
- OAXACA**  
**FIX FERRETERÍAS**  
 AV. 20 DE NOVIEMBRE #910, COL. CENTRO, C.P. 68300, TUXTEPEC, OAX. TEL.: 287 106 3092
- PUEBLA**  
**SUCURSAL PUEBLA**  
 AV. PERIFÉRICO #2-A, SAN LORENZO ALMECILLA, C.P. 22710 CUAUHTLACINGO, PUE. TEL.: 222 282 8282 / 84 / 85 / 86
- QUERÉTARO**  
**AU HERRAMIENTAS S.A. DE C.V.**  
 AV. PUERTO DE VERACRUZ #110, COL. RANCHO DE ENMEDIO, C.P. 76842, SAN JUAN DEL RÍO, QRO. TEL.: 421 268 4544
- QUINTANA ROO**  
**FIX FERRETERÍAS**  
 CARRETERA FEDERAL MZ. 46 LT. 3 LOCAL 2, COL. EIDAL, C.P. 77710 PLAMA DEL CARMEN, Q.R. TEL.: 984 267 3140
- SAN LUIS POTOSÍ**  
**FIX FERRETERÍAS**  
 AV. UNIVERSIDAD #1850, COL. EL PASCO, C.P. 78320, SAN LUIS POTOSÍ, S.L.P. TEL.: 444 822 4341
- SINALOA**  
**SUCURSAL CUICUILTAN**  
 AV. JESÚS KUIMATE SUR #4301, COL. HACIENDA DE LA MORA, C.P. 80145, CUICUILTAN, SIN. TEL.: 667 175 9139 / 173 8400
- SONORA**  
**FIX FERRETERÍAS**  
 CALLE 5 DE FEBRERO #517, SUR LT. 25 MZ. 10, COL. CENTRO, C.P. 85000, CD. OBERGÓN, SON. TEL.: 644 415 2592
- TABASCO**  
**SUCURSAL VILLAHERMOSA**  
 CALLE HEHIO LOTES 1, 2 Y 3 MZ. #1, COL. INDUSTRIAL, 2A ETAPA, C.P. 86010, VILLAHERMOSA, TAB. TEL.: 993 355 7244
- TAMALULPAS**  
**VM FERRONCS Y REPARACIONES**  
 CALLE ROSITAS #432, ENTRE 20 DE NOVIEMBRE Y GRAL. RODRÍGUEZ, RFBCC, REVOSA, C.P. 88780, REVOSA, TAM. TEL.: 899 926 7552
- TLAXCALA**  
**SERVICIOS Y HERRAMIENTAS INDUSTRIALES**  
 PABLO SIDA# #132, COL. BARRIO DE SAN BARTOLOMÉ, C.P. 90970, SAN PABLO DEL MONTE, TLAX. TEL.: 222 271 7502
- VERACRUZ**  
**LA CASA DISTRIBUIDORA TRUPER**  
 BLD. PRIMAVERA ESQ. HORTENSIA S/N, COL. PRIMAVERA, C.P. 93308, POZA RICA, VER. TEL.: 782 823 8100 / 826 8484
- YUCATÁN**  
**SUCURSAL MÉRIDA**  
 CALLE 33 #6600 A 602, LOCALIDAD TIZICANGAR Y MUISAR, MÉRIDA, YUCÁN, C.P. 97390, MÉRIDA, YUC. TEL.: 999 912 2451



# Solución de problemas

## Solución

## Causa

## Problema

- Gire a la derecha el tornillo de la marcha lenta para aumentar la misma (consulte la página 20).
- Gire a la izquierda el tornillo de la marcha lenta para disminuir la misma (consulte la página 20).

- La marcha lenta se encuentra mal ajustada.

El motor arranca, funciona y acelera, pero no puede ponerse en marcha lenta.

- La marcha lenta se encuentra mal ajustada.

La cadena avanza estando el motor en marcha lenta.

- Llene el tanque de aceite. Recuerde que debe ser llenado cada vez que llene el tanque de combustible.
- Disminuya el tensado de la cadena (consulte la página 11).
- Accione el motor a medio tiempo durante 30 o 45 segundos. Dejen que el motor y busque señales de goteo de aceite en la protección antirretroceso o la barra guía. Si hay aceite presente es posible que la cadena esté desajustada o que la barra guía esté dañada. Si no hay aceite acuda a un Centro de Servicio Autorizado **TRUPER** para reparar el sistema de lubricación.

- El tanque de aceite de la cadena está vacío.
- La cadena está demasiado tensa.
- El sistema de lubricación no está funcionando.

La barra y la cadena están muy calientes y despiden humo.

- Suelte el freno de la cadena (consulte la página 8).
- Disminuya el tensado de la cadena (consulte la página 11).
- Ensamble adecuadamente la cadena y la barra guía (consulte las páginas 10 y 11).
- Reemplace la cadena y/o la barra guía por otra(s) igual(es).

- El freno de la cadena está activado.
- La cadena está demasiado tensa.
- La cadena y la barra guía no están bien ensambladas.
- La cadena y/o la barra guía están dañadas.

El motor arranca y funciona, pero la cadena no avanza.

## Solución de problemas

Mantenimiento periódico	Después de cada uso	Cada 25 h de uso	Cada 50 h de uso	Cada 150 h de uso	Cada 250 h de uso
Limpeza general	✓				
Limpeza filtro de aire					
Limpeza carburador *					
Inspección y ajuste de bujía *					
Limpeza de tanque de combustible **					
Cambio de filtro de combustible **					
Reemplazo de manguera de combustible **					
Limpeza del reflector de chispas					

\* Usuario capacitado o Centro de Servicio Autorizado **TRUPER**. \*\* Centro de Servicio Autorizado **TRUPER**.

### Problema

### Causa

### Solución

El motor no arranca.

- El interruptor está en la posición de apagado.
- Coloque el interruptor en la posición de encendido.

- No hay chispa.

- Revise la chispa. Retire la cubierta del motor. Retire la bujía del cilindro.
- Conecte el cable de la bujía y colóquela sobre el cilindro del motor con su parte metálica tocando el cilindro. Tire del mango del arrancador y observe la chispa en el electrodo de la bujía. Si no la hay, repita la prueba con una bujía nueva.
- Teniendo apagado el interruptor de encendido, retire la bujía. Empuje la palanca del ahogador hasta el fondo y tire del mango del arrancador de 15 a 20 veces para eliminar el exceso de combustible del motor. Limpie la bujía y vuelva a instalarla. Siga el procedimiento de arranque normal (consulte la página 12). Si no arranca el motor, jale la palanca del ahogador completamente hacia afuera y repita el procedimiento de arranque. Si el motor aún no arranca, repita el procedimiento con una bujía nueva.

El motor no acelera adecuadamente.

- La esprea "L" del carburador necesita ajuste.

El motor no funciona adecuadamente a alta velocidad.

- La mezcla de combustible y aceite es incorrecta.
- El filtro de aire está sucio.
- La pantalla parachispas está sucia.
- La esprea "H" del carburador necesita ajuste.

El motor no alcanza la máxima velocidad y/o despide demasiado humo.

- Reemplace la mezcla de combustible por una nueva siguiendo las especificaciones de la página 3.
- Limpie el filtro de aire (consulte la página 3).
- Limpie la pantalla parachispas (consulte la página 20).
- Lleve la motosierra a un Centro de Servicio Autorizado **TRUPER** para ajustar el carburador.

- Lleve la motosierra a un Centro de Servicio Autorizado **TRUPER** para ajustar el carburador.

- Lleve la motosierra a un Centro de Servicio Autorizado **TRUPER** para ajustar el carburador.

## Ajuste del carburador

**¡ATENCIÓN!** Los ajustes del carburador deben

realizarse por especialistas en un Centro de Servicio Autorizado

**TRUPER**

Antes de que realicen los ajustes al carburador verifique que el filtro del aire y las ranuras de ventilación de la

unidad de arranque estén limpios (consulte la página 19).

El motor debe calentarse antes de realizar cualquier ajuste al carburador.

El carburador es ajustado de fábrica y sólo permite un ajuste limitado de sus espesas "L" (inyección moderada) y

"H" (inyección intensa) dentro de un rango de 1/2 vuelta, por ningún motivo fuerce las espesas más allá de este

rango para evitar daños serios al motor.

Las espesas se encuentran dentro del orificio superior de la cubierta del motor marcado con una "L" y una "H", a un lado del mango arrancador. Cuentan con tapas

plásticas para evitar su giro hacia la izquierda con respecto a su ajuste original.

## Ajuste de la marcha lenta

El tornillo de marcha lenta se encuentra dentro del

orificio inferior de la cubierta del motor marcado con una "L", a un lado del mango arrancador.

Si el motor arranca, funciona y acelera, pero no funciona en marcha lenta, gire el tornillo de marcha lenta hacia la derecha para que el motor pueda funcionar en

marcha lenta.

Si la cadena avanza con el motor en marcha lenta, gire el tornillo de marcha lenta hacia la izquierda para reducir

su velocidad de manera que la cadena no avance.

Si la cadena aún se mueve al estar el motor en marcha lenta después de haber ajustado el tornillo, apague la

motosierra y suspenda su uso hasta que la ajusten en un Centro de Servicio Autorizado

**TRUPER**

**¡PELIGRO!** Utilizar la motosierra con la cadena en movimiento en marcha lenta puede provocar lesiones personales graves.

## Cambio de la bujía

El motor utiliza una bujía Champion RC-4 con una

separación de electrodos de 0.6 mm (0.025"). Al menos cada seis meses de uso reemplace la bujía por otra igual a la original.

Para reemplazar la bujía retire la cubierta del motor (consulte la página 19).

Afije la bujía gastada hacia la izquierda con una llave y retirela.

Inserte la bujía nueva y aprétela con la mano hacia la derecha.

Finalmente aprétela 1/4 de vuelta mas con la llave de

dañado el motor.

**¡ATENCIÓN!** Tenga cuidado de no estropear la rosca de la bujía, de lo contrario resultaría seriamente

## Limpieza del deflector de chispas

La limpieza del deflector de chispas debe de realizarse por especialistas en un Centro de Servicio Autorizado

**TRUPER**

## Freno de la cadena

Retire la cubierta del clutch e inspeccione y limpie los componentes del freno de la cadena. Revise el desgaste de la banda de freno y cámbiela si tiene un desgaste de la

mitad de su espesor original de 0.60 mm (0.024") o está deformada.

Mantenga siempre limpio y ligeramente lubricado el mecanismo del freno de la cadena.

Revise el sostén de la cadena y cámbielo si está dañado.

## Almacenamiento de la motosierra

En caso de que almacene la motosierra durante un mes o

mas, tome en cuenta las siguientes consideraciones: un recipiente de uso aprobado para gasolina. Todo el

sobrante debe reutilizarse en otro equipo con motor de aceite.

Ponga a funcionar el motor hasta que consuma el resto del combustible y se apague por sí mismo. Así eliminará el combustible residual y evitará que se formen grumos

que podría dañar el sistema de combustible.

Drene todo el contenido del tanque de aceite de la barra y la cadena en un recipiente de uso aprobado para

aceite.

Limpie la motosierra por completo.

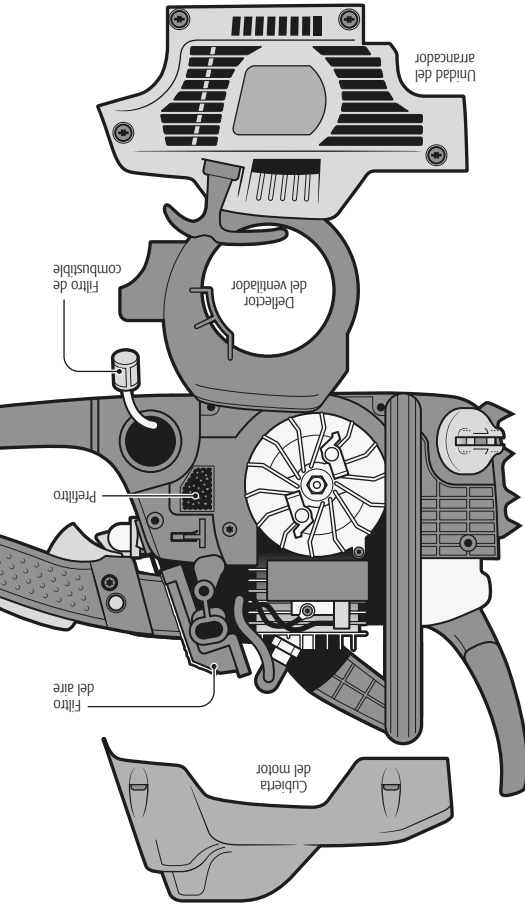
Almacene la unidad en un espacio ventilado, apartado de agentes corrosivos como productos químicos para

jardín o sales para derretir hielo y lejos del alcance de los niños.

Cumpla con todos los reglamentos gubernamentales relacionados con la seguridad en el manejo y almacenamiento de combustibles.



**ADVERTENCIA** • Jamás intente arrancar el motor sin **TODAS** las partes de la motosierra montadas firmemente cada una en su lugar correspondiente. De lo contrario las piezas pueden fracturarse y ser disparadas hacia el operador, además de estropear la motosierra e invalidar la garantía.



• El prefiltro debe ser limpiado cuando menos cada vez que llegue a 25 tanques de combustible de uso.  
 • Para tener acceso al prefiltro retire la cubierta del motor (el proceso para retirarla se describe arriba).  
 • Retire la unidad del arrancador aflojando sus cuatro tornillos.  
 • Retire el deflector del ventilador.  
 • El prefiltro es un cubo de espuma sintética, retírelo de su lugar para limpiarlo.  
 • Una vez limpio y seco colóquelo en su lugar y en la misma posición en que se encontraba.  
 • Instale de nuevo el deflector del ventilador y la unidad del arrancador.

**Limpeza del prefiltro**

• Primero debe tener acceso al filtro del aire retirando la

**cubierta del motor** siguiendo estos pasos:

- Afloje los tres tornillos que fijan la cubierta del motor a la motosierra.
- Accione el freno de la cadena.
- Levante la parte delantera de la cubierta del motor, por arriba de la palanca del freno de la cadena.
- Levante la parte posterior de la cubierta del motor, por encima del mango posterior.

• Después jale la palanca contaminar el carburador durante el proceso de limpieza.  
 • Elimine con aire comprimido o con un cepillo tanta tierra y aserrín como sea posible del área descubierta al retirar la cubierta del motor.

- Retire el filtro del aire aflojando el tornillo que lo fija y rotando la punta de un desarmador plano entre el filtro y su base.
- Dependiendo del tiempo de uso puede dar al filtro una limpieza superficial con sólo golpearlo ligeramente contra una superficie lisa y plana para desalojar la mayoría de las partículas de aserrín y polvo.
- También puede soplear el filtro con aire comprimido, hágalo por ambos lados.
- O para una limpieza más completa limpie el filtro del aire en agua jabonosa tibia, enjuáguelo y déjelo secar por completo antes de instalarlo de nuevo en la motosierra.
- En caso de que utilice aire comprimido para secarlo, sople por ambas caras del filtro.
- Instale de nuevo el filtro del aire, verificando que empate y descense perfectamente en su base antes de apretar el tornillo.

**Limpeza general**

• Con un cepillo o aire comprimido limpie y despeje las ranuras de ventilación de la unidad del arrancador cada vez que sea necesario.

• De la misma forma limpie periódicamente las aletas del cilindro del motor y las aletas del ventilador para retirar cualquier impureza. De no hacerlo el motor puede dañarse debido a un recalentamiento.  
 • Dependiendo del tipo de combustible y aceite utilizados o las condiciones de funcionamiento particulares, el orificio de escape y el silenciador pueden resultar obstruidos con depósitos de carbón. Si observa alguna pérdida de potencia en la motosierra, puede ser necesario eliminar dichos depósitos para restaurar su rendimiento.

• **TRUPER** para que realicen este servicio. Lleve la motosierra a un Centro de Servicio Autorizado.

**Filtro de combustible**

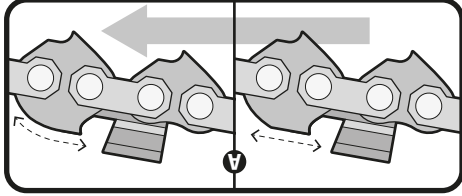
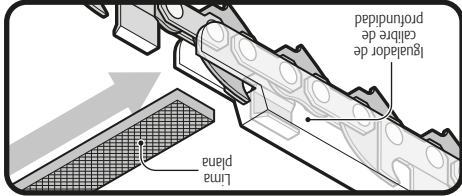
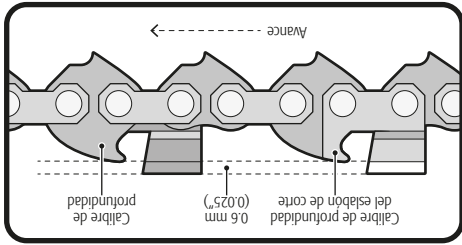
• Revise periódicamente el filtro de combustible. En caso de que esté contaminado o dañado acuda a un Centro de Servicio Autorizado **TRUPER** para reemplazarlo.

# Ajustes y mantenimiento



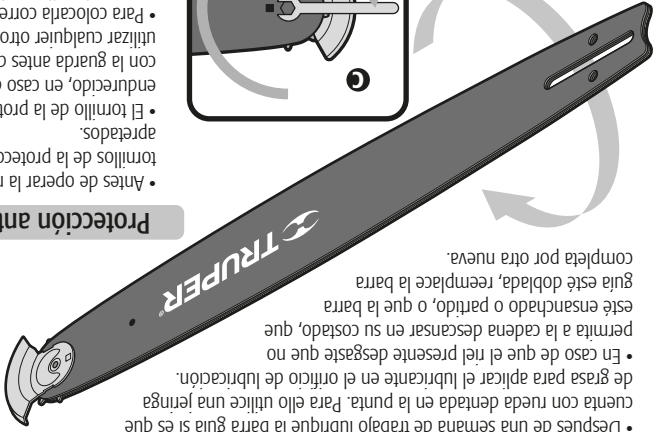
## Calibre de profundidad de la cadena

- La cadena cuenta con dientes limpiadores (calibres de profundidad) situados adelante de cada diente de corte para evitar que estos entren demasiado en la madera y se atasquen generando un contragolpe.
- Los calibres de profundidad deben de ser revisados cada vez que afilie la cadena para verificar que tengan la altura adecuada con respecto a la placa superior de los dientes de corte.
- La diferencia en la altura de los calibres de profundidad y los dientes de corte debe de ser siempre de 0,6 mm (0,025").
- Si por el desgaste normal y/o afilado de la cadena la diferencia es menor, utilice un instrumento de calibración de profundidad y una lima plana para igualar y verificar la diferencia a 0,6 mm (0,025").
- Lime sólo los calibres de profundidad. Haga lo en la misma dirección en que limó el diente de corte adyacente teniendo cuidado de no tocar su esquina de corte.
- Después de igualar la diferencia de todos los dientes limpiadores lime cada uno para devolverles su forma original redondeando su parte frontal (A).



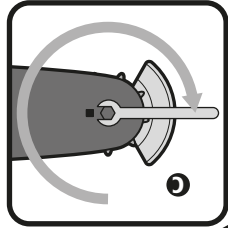
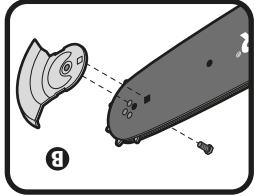
## Mantenimiento de la barra guía

- La barra guía debe de ser limpiada al final de la jornada de trabajo y también debe ser revisada minuciosamente para identificar su desgaste o posibles daños.
- La aparición de manuscuos surcos o protuberancias en los rieles de la barra se deben a un desgaste normal por el uso de la motosierra, que deben de aalisarse con una lima en cuanto sean identificados.
- Limpie todas las impurezas del orificio de lubricación y la ranura de la cadena de corte.
- Después de una semana de trabajo invierta la barra guía para distribuir su desgaste natural y prolongar al máximo su vida útil. **¡ATENCIÓN!** Recuerde que la protección antirretroceso siempre debe quedar del lado de la cubierta delutch para evitar contragolpes durante cortes horizontales al ras del piso.
- Después de una semana de trabajo lubrique la barra guía si es que cuenta con rueda dentada en la punta. Para ello utilice una jeringa de grasas para aplicar el lubricante en el orificio de lubricación.
- En caso de que el riel presente desgaste que no permita a la cadena descansar en su costado, que esté ensamblado o partido, o que la barra guía esté doblada, reemplace la barra completa por otra nueva.



## Protección antirretroceso

- Antes de operar la motosierra verifique siempre que los tornillos de la protección antirretroceso están debidamente apretados.
- El tornillo de la protección antirretroceso es especial endurecido, en caso de que no apriete reemplácelo junto con la guarda antes de operar la motosierra. No intente utilizar cualquier otro tipo de tornillo.
- Para colocarla correctamente protección antirretroceso encastre la saliente de la guarda en el hueco correspondiente de la barra (B).
- Apriete el tornillo con los dedos y después utilice una llave de 5/16" (8 mm) para terminar de apretarlo exactamente 3/4 de vuelta (C).



- Apague la motosierra antes de realizar cualquier tarea de mantenimiento.
- Use guantes protectores para trabajo pesado.

## Mantenimiento de la cadena de corte

- Para que la motosierra haga cortes lisos y rápidos la cadena de corte debe de contar con un mantenimiento adecuado periódicoamente.

## Afilado de la cadena de corte

- La cadena requiere afilarse si las virutas de madera que genera la motosierra al cortar son pequeñas y polvorientas, cuando es necesario forzar la barra guía a través de la madera para realizar el corte o cuando la cadena corta hacia un lado.
- El afilado de la cadena se debe de hacer con ella montada y tensada en la barra guía (consulte la página 11) y con el motor de la motosierra apagado.
- Use una lima redonda con un diámetro de 4 mm (5/32").

## ATENCIÓN

- Tenga cuidado de afilar todos los dientes a los ángulos especificados en la imagen y a la misma longitud, pues sólo con dientes uniformes se logra un corte adecuado y seguro.
- Afile todos los dientes uno por uno, primero todos los del lado derecho y después todos los del izquierdo. Para pasar de un diente a otro recorra la cadena sólo un poco de manera que cada vez que afille un diente lo haga sobre la parte media de la barra guía.
- Mantenga la lima al nivel de la placa superior del diente de corte. No permita que la lima se incline o balancee. Aplique una presión leve pero firme, haciendo el movimiento sólo hacia la parte frontal del diente. Separe la lima del diente en cada movimiento de regreso.
- De unas pocas pasadas a cada diente.
- Con un capillo de alambre retire las limaduras de acero producidas durante el afilado.

## ATENCIÓN

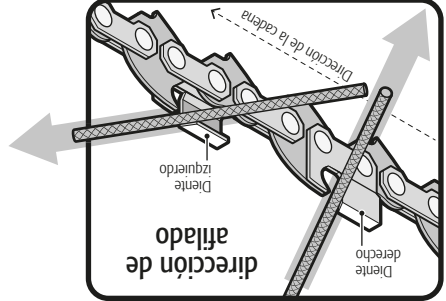
- Operar la motosierra con la cadena mal afilada o desafilada puede dañar el motor por la velocidad excesiva.
- Operar la motosierra con la cadena mal afilada o desafilada aumenta el riesgo de contagiope.

## ADVERTENCIA

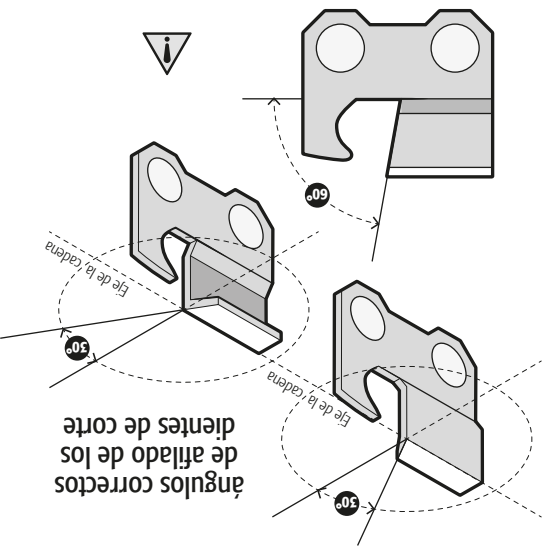
- Operar la motosierra con la cadena danada puede causar lesiones serias.
- La cadena de corte está muy afilada, para su manejo use guantes protectores para trabajo pesado.

## ATENCIÓN

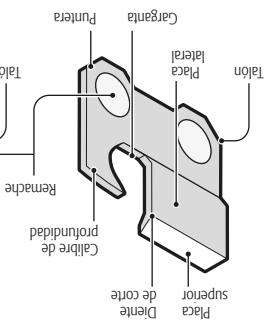
- Si la cadena de corte se ha desafilado por haber hecho contacto con clavos o piedras, o por fodo y arena presentes en la madera, permita que sea afilada en un Centro de Servicio Autorizado TRUPER.



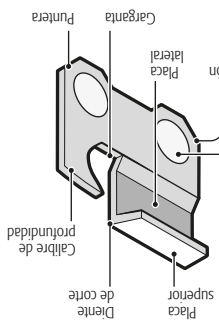
## ángulos correctos de afilado de los dientes de corte



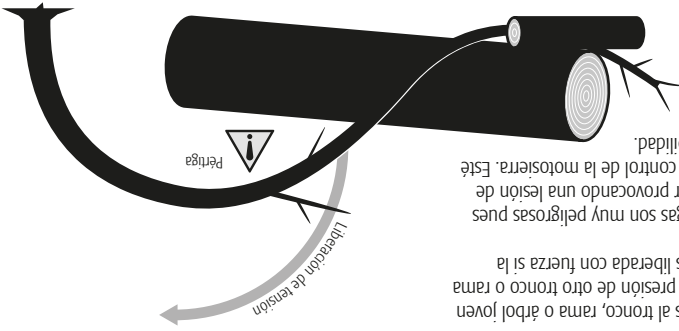
## eslabón de corte derecho



## eslabón de corte izquierdo







• Por pértigas nos referimos al tronco, rama o árbol joven que ha sido doblado por la presión de otro tronco o rama acumulando tensión que es liberada con fuerza si la presión se suelta.

**▲ PELIGRO** • Las pértigas son muy peligrosas pues pueden golpear al operador provocando una lesión de grave y/o hacerle perder el control de la motosierra. Este siempre atento a esta posibilidad.

**Pértigas**

• Cuando corte una rama no haga el corte a ras del tronco para evitar que la rama al caer desprenda la corteza del tronco.

• Efectúe un primer corte con una profundidad de 1/3 del diámetro de la rama. Después realice un segundo corte de 2/3 del lado opuesto.

• Finalice el corte de la rama con un tercer corte a ras del tronco para dejar que la corteza crezca y selle el corte.

• En caso de que la rama sea demasiado grande haga el corte por secciones para evitar un desprendimiento violento.

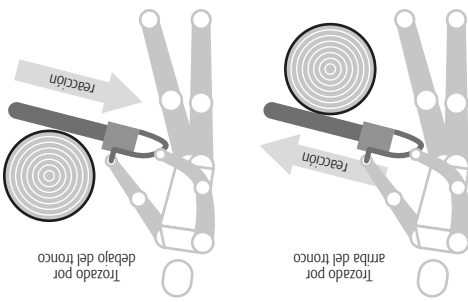
**Operación de corte**

• Al igual que la tala el trabajo de poda y desramado debe hacerse con calma, sumo cuidado y siguiendo las normas de seguridad (consulte las páginas 5 y 6).

• Cuando corte una rama mantenga el árbol entre usted y la cadena de corte.

**▲ PELIGRO** • Jamás corte las ramas subido a una escalera, colgado del árbol o parado en una plataforma o un tronco pues es extremadamente peligroso. Deje que un profesional se encargue de las ramas que no alcance parado en el suelo y sobrepasen la altura de su pecho.

**Desramado y Poda**



• Comience el corte por el lado superior del tronco con la parte inferior de la barra guía contra el tronco.

• Ejerza presión leve hacia abajo.

**▲ ATENCIÓN** • Mantenga atención a la reacción de la motosierra, la fuerza de reacción la jalará hacia el operador.

• Comience el corte por el lado inferior del tronco con la parte superior de la barra guía contra el tronco.

• Ejerza presión leve hacia arriba.

**▲ ATENCIÓN** • Mantenga atención a la reacción de la motosierra, la fuerza de reacción la empujará hacia el operador.

**Trozado por arriba del tronco**

**Trozado por debajo del tronco**

**Tala y Tronzado**



## Corte de raíces zancas

- Por raíces zancas nos referimos a las raíces que sobresalen demasiado del suelo del tronco. Cuando son muy grandes pueden dificultar el taldado del árbol, por lo que deben de ser removidas antes del taldado.
- Primero se debe de hacer un corte horizontal a través de la raíz a algunos centímetros del suelo.
- Después realice un corte vertical hacia abajo y al ras del tronco para separar la raíz sin que atape la barra guía.
- Es importante realizar los cortes en orden para evitar que la pieza de madera residual se apoye en la barra guía atrapándola o sea lanzada con fuerza con dirección indeterminada.

### ¡ATENCIÓN!

## Tronzado

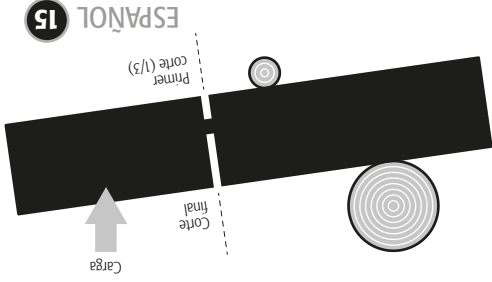
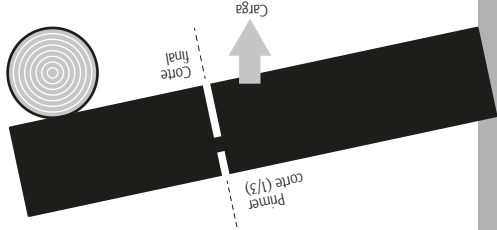
- Por tronzado nos referimos al corte de un tronco de árbol después de haber sido taldado.
- Durante el tronzado corte siempre un tronco a la vez.
- Apoye los troncos pequeños en un caballete de aserrar o en medio de dos troncos más grandes juntos para cortarlos.
- Si el terreno está desniveelado en el área de tronzado síluse siempre en el lado más alto mientras realiza los cortes para evitar que las partes cortadas no rueden sobre usted.
- **ADVERTENCIA** • Manténgase alerta en todo momento, pues a veces es difícil predecir la dirección que tomarán los troncos al ser cortados y no siempre es posible evitar que la barra guía sea atrapada por los troncos.

## Tronzado con cuña

- En troncos muy gruesos es conveniente introducir cuñas en el corte para evitar que la barra guía sea atrapada por el tronco al aserrarse en su lugar mientras es cortado.
- Si el diámetro del tronco es demasiado grande habrá que desmontar la protección antirretroceso de la punta de la barra guía para poder introducir la en el corte sin retirar las cuñas y continuar hasta terminar el trabajo.
- **ADVERTENCIA** • Instale de nuevo la protección antirretroceso tan pronto termine el corte.

## Tronzado de troncos bajo presión

- Efectúe un primer corte con una profundidad de 1/3 del diámetro del tronco. Después termine con un segundo corte de 2/3 del lado opuesto. Consulte el diagrama para determinar dónde realizar el primer corte y evitar que la barra guía sea atrapada por el tronco al doblarse por su propio peso.



## Tronzado

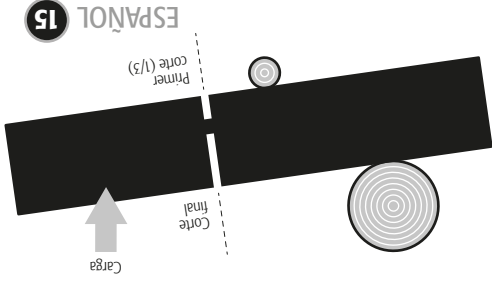
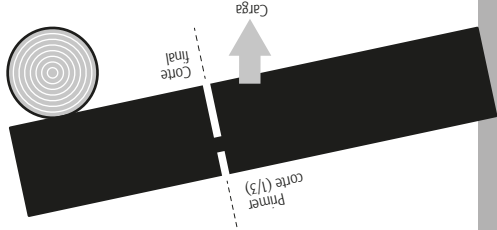
- Por tronzado nos referimos al corte de un tronco de árbol después de haber sido taldado.
- Durante el tronzado corte siempre un tronco a la vez.
- Apoye los troncos pequeños en un caballete de aserrar o en medio de dos troncos más grandes juntos para cortarlos.
- Si el terreno está desniveelado en el área de tronzado síluse siempre en el lado más alto mientras realiza los cortes para evitar que las partes cortadas no rueden sobre usted.
- **ADVERTENCIA** • Manténgase alerta en todo momento, pues a veces es difícil predecir la dirección que tomarán los troncos al ser cortados y no siempre es posible evitar que la barra guía sea atrapada por los troncos.

## Tronzado con cuña

- En troncos muy gruesos es conveniente introducir cuñas en el corte para evitar que la barra guía sea atrapada por el tronco al aserrarse en su lugar mientras es cortado.
- Si el diámetro del tronco es demasiado grande habrá que desmontar la protección antirretroceso de la punta de la barra guía para poder introducir la en el corte sin retirar las cuñas y continuar hasta terminar el trabajo.
- **ADVERTENCIA** • Instale de nuevo la protección antirretroceso tan pronto termine el corte.

## Tronzado de troncos bajo presión

- Efectúe un primer corte con una profundidad de 1/3 del diámetro del tronco. Después termine con un segundo corte de 2/3 del lado opuesto. Consulte el diagrama para determinar dónde realizar el primer corte y evitar que la barra guía sea atrapada por el tronco al doblarse por su propio peso.



# Tala y Tronzado

## Restricciones para tala de árboles. ¡No haga por ningún motivo!



- No corte árboles bajo lluvia o viento intensos. Espere a que el tiempo se calme.
- No corte árboles con personas o animales en la zona. La distancia segura para los transeúntes se explica en el apartado "Al operar la motosierra" de las Normas de Seguridad para uso de motosierras en la página 6.
- No corte árboles sin calcular previamente su línea de caída para evitar ser aplastado.

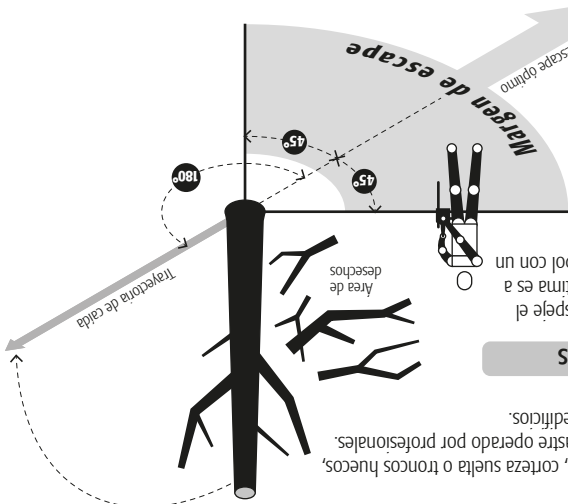
## Límites para tala de árboles. ¡Deje estas tareas a profesionales!



- No corte árboles extremadamente delgados.
- No corte árboles grandes con ramas podridas, corteza suelta o troncos huecos.
- No necesita de equipo pesado de empuje o arrastre operado por profesionales.
- No corte árboles cerca de cables eléctricos o edificios.

## Preparativos para tala de árboles

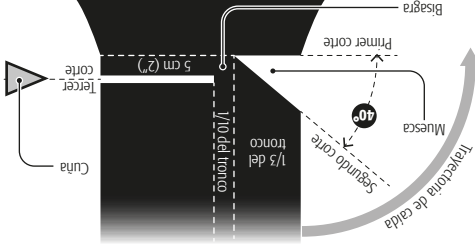
- Planifique al menos dos rutas de escape y despeje el área para no bloquearlas. La ruta de escape óptima es a 180° de la trayectoria calculada de caída del árbol con un margen de 45° hacia ambos lados.
- Para calcular la caída del árbol considere la dirección y fuerza del viento, la inclinación y equilibrio del árbol y la ubicación de sus ramas más grandes.
- Revise que el árbol no tenga ramas muertas que puedan caer sobre usted mientras esté cortándolo.



## Cómo cortar un árbol

- Corte una muesca de 1/3 del diámetro del tronco del lado calculado para su caída.
- Esta muesca se debe realizar por medio de dos cortes, el primero horizontal y el segundo a 40°.
- Es importante realizar los cortes en ese orden para evitar que el pedazo de madera residual se apoye en la barra guiando el árbol o sea lanzada con fuerza con dirección indeterminada.
- El tercer corte debe hacerse en el lado opuesto a la muesca. Debe ser horizontal y quedar como mínimo a 5 cm (2") por arriba del corte horizontal de la muesca y no llegar hasta ella, dejando entre la muesca y el tercer corte una distancia de 1/10 del diámetro del tronco para formar una bisagra que controle la caída del árbol.
- evitados movimientos o trayectorias inesperadas durante su caída o la separación violenta del árbol de su cepa.
- **ATENCIÓN** • Nunca realice el tercer corte hasta llegar a la muesca, de lo contrario el árbol podría caer de forma incontrolada.
- Cuando corte árboles de diámetro grande detenga el corte trasero antes de llegar a una profundidad que haga que el árbol se asiente y atrape la barra guía.
- Antes de continuar con el corte introduzca unas cuñas de madera o plástico poco a poco en el corte para mantenerlo abierto.

- El introducir las cuñas puede ser suficiente para derribar el árbol, de lo contrario habrá que desmontar la protección antretrocésos de la punta de la barra guía para poder introducir la en el corte sin retirar las cuñas y continuar hasta formar la bisagra.
- **ADVERTENCIA** • Instale de nuevo la protección antretrocésos tan pronto termine el corte.
- En cuanto el árbol comience a caer, apague la motosierra y déjela en el suelo de inmediato. Retírese por la ruta de escape óptimo sin dejar de prestar atención por si se presentara cualquier eventualidad.
- **ADVERTENCIA** • Durante el tercer corte fíjese en el comportamiento de la copa del árbol constantemente para asegurarse de que su caída mantiene la dirección programada. Si por alguna razón el árbol comienza a caer en una dirección equivocada o la motosierra es atrapada durante la caída, ¡súetela y corra para ponerse a salvo!

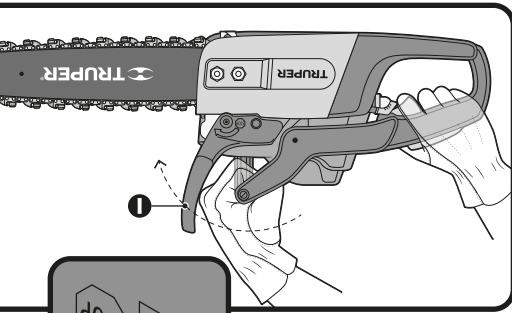
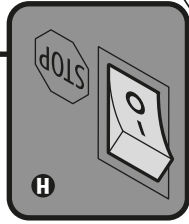


## Apagado del motor

- Sujete el gatillo del acelerador y permita que el motor funcione en marcha lenta.
- Coloque el interruptor en la posición de apagado (H).
- Permita que la cadena se detenga antes de colocar la motosierra en el piso.
- Para tener un grado adicional de seguridad, ponga el freno de la cadena (I) cuando no esté usándose la sierra.
- En caso de que la motosierra no se detenga, a pesar de que el interruptor se encuentre en la posición de apagado, jale la palanca del ahogador completamente hacia afuera (figura D en la página 12) y accione el freno de la cadena para apagar el motor. Acuda a un Centro de Servicio Autorizado **TRUPER** para que reparen el interruptor antes de utilizar de nuevo la motosierra y evitar condiciones de trabajo inseguras y posibles lesiones serias.

**¡ATENCIÓN!** Una vez que apague la motosierra alivie la presión de los tanques, aflojando la tapa del tanque de aceite y la del tanque de combustible. Después vuelva a apretar las tapas.

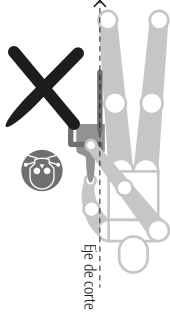
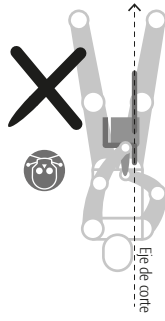
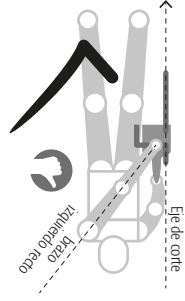
• Permita que se enfríe el motor antes de guardar la unidad.



# Operación de corte

## Postura correcta para el corte

- Ambos pies deben estar apoyados en suelo firme, con el peso de su cuerpo bien equilibrado, el pie izquierdo debe de estar ligeramente más adelante que el derecho.
- Sostenga la motosierra como se indica en la sección de normas de seguridad para uso de motosierras (página 5).
- Mantenga el brazo izquierdo recto sin doblar el codo para tolerar la fuerza de un contragolpe.
- Mantenga siempre el eje de corte a su derecha. Para que su cuerpo quede libre de estar en el eje de corte en caso de un contragolpe.
- Sostenga la motosierra cerca del cuerpo para evitar tensión en los brazos y en la espalda.
- No intente sostener la motosierra en posición zurda.

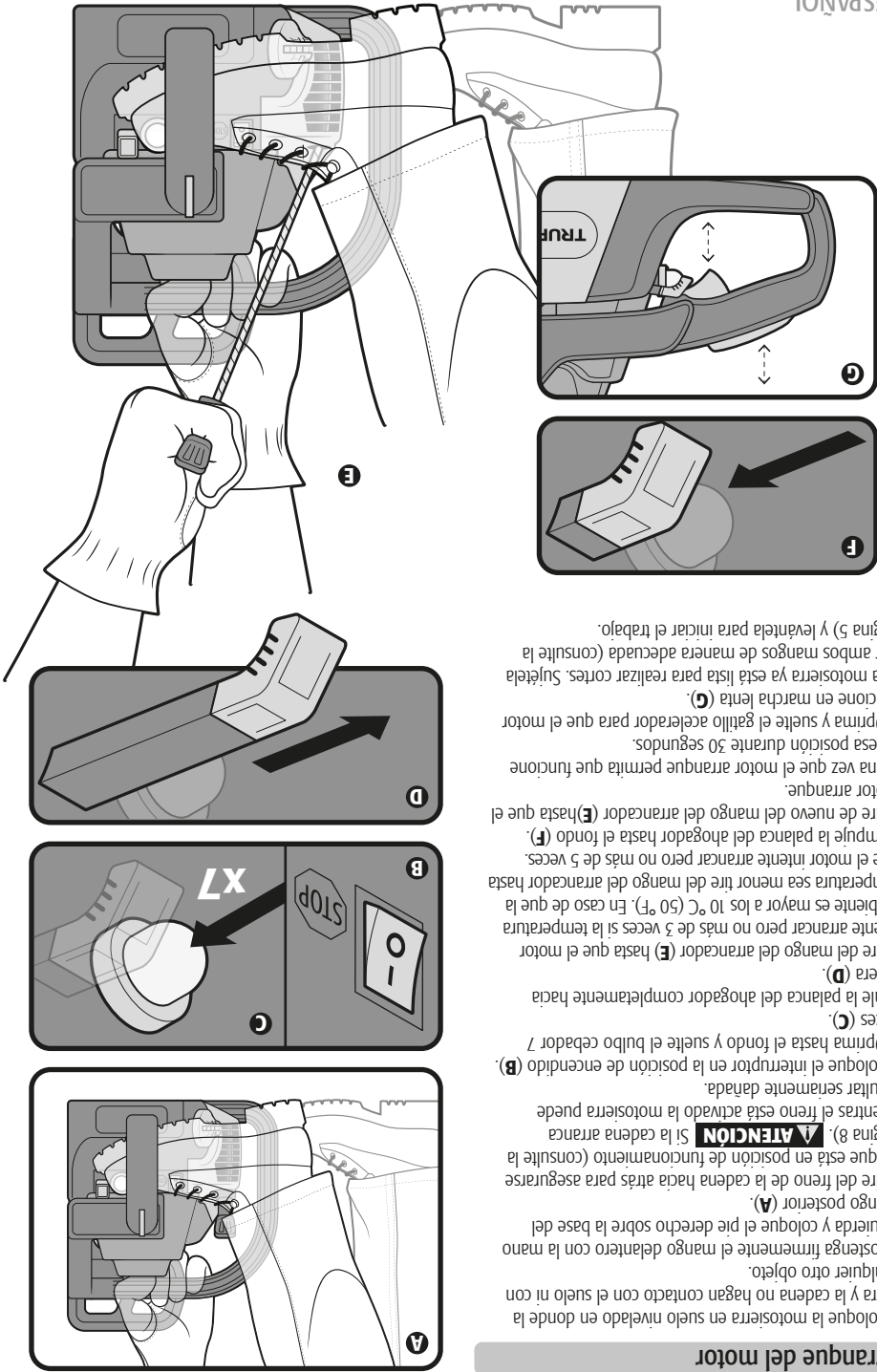


desgaste innecesarios en la cadena, la barra o el motor. corte, así el motor funcionará en marcha lenta o evitando el motor. • Sujete el gatillo acelerador tan pronto como termine el contrario podría dañar la cadena, la barra o el motor. No intente forzar el corte en ningún momento, de lo aplicando una leve presión hacia abajo con la motosierra. Permita que la cadena de corte haga su trabajo velocidad durante el corte.

• Mantenga en todo momento el motor a su máxima. Inicie el corte colocando la barra guía sobre el tronco. alcance su máxima velocidad. • Presione el gatillo del acelerador para que el motor motosierra en marcha lenta. • Adopte una postura correcta frente al tronco con la familiarizarse con su uso siguiendo la siguiente técnica: diámetro) apoyados en un caballete para aserrar para cuantos troncos pequeños (no menos de 20 cm de motosierras, se recomienda que practique con unos Si no cuenta con experiencia previa del uso de

## Procedimientos básicos de corte





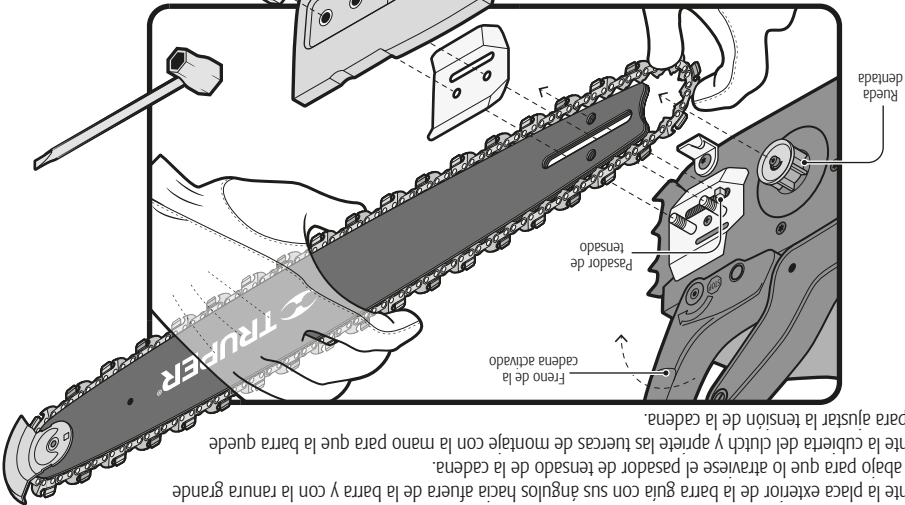
Arranque del motor

- Coloque la motosierra en suelo nivelado en donde la barra y la cadena no hagan contacto con el suelo ni con cualquier otro objeto.
- Sostenga firmemente el mango delantero con la mano izquierda y coloque el pie derecho sobre la base del mango posterior (A).
- Tire del freno de la cadena hacia atrás para asegurarse de que está en posición de funcionamiento (consulte la página 8). **¡ATENCIÓN!** Si la cadena arranca mientras el freno está activado la motosierra puede resultar seriamente dañada.
- Coloque el interruptor en la posición de encendido (B).
- Oprima hasta el fondo y suelte el bulbo cebador 7 veces (C).
- Jale la palanca del ahogador completamente hacia afuera (D).
- Tire del mango del arrancador (E) hasta que el motor intente arrancar pero no más de 3 veces si la temperatura ambiente es mayor a los 10 °C (50 °F). En caso de que la temperatura sea menor tire del mango del arrancador hasta que el motor intente arrancar pero no más de 5 veces.
- Empuje la palanca del ahogador hasta el fondo (F).
- Tire de nuevo del mango del arrancador (E) hasta que el motor arranque.
- Una vez que el motor arranque permita que funcione en esa posición durante 30 segundos.
- Oprima y suelte el gatillo acelerador para que el motor funcione en marcha lenta (G).
- La motosierra ya está lista para realizar cortes. Sujétela por ambos mangos de manera adecuada (consulte la página 5) y levántela para iniciar el trabajo.

# Montaje de la barra y la cadena



- Levante la barra con la cadena y cólquela en la sierra haciendo pasar los pernos de montaje por la ranura de la barra, y el espacio huegado entre la barra y la cadena alrededor de la rueda dentada. Al colocar la barra en los pernos, asegúrese de que el pasador de tensado esté en el orificio correspondiente para el tensado de la cadena.
- Monte la placa exterior de la barra guía con sus ángulos hacia afuera de la barra y con la ranura grande hacia abajo para que lo atraviese el pasador de tensado de la cadena.
- Monte la cubierta del clutch y apriete las tuercas de montaje con la mano para que la barra quede libre para ajustar la tensión de la cadena.



## Tensado de la cadena

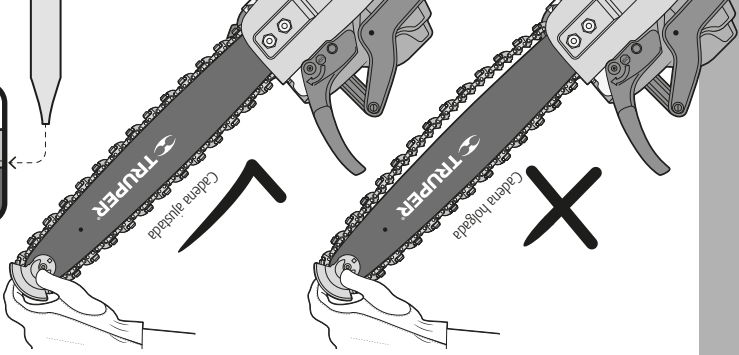
- Con un desarmador plano gire el tornillo de tensión de la cadena (1) hasta que la cadena quede ajustada a la barra sin ninguna holgura y con los eslabones de tracción insertados en la ranura de la barra.

- Levante la punta de la barra guía para verificar si queda alguna holgura en la cadena. De ser así gire de nuevo el tornillo de tensión 1/2 vuelta. Repita el procedimiento hasta que no exista ninguna holgura entre la cadena y la barra.

- Mantenga levantada la punta de la barra guía mientras aprieta las tuercas con la llave.

- Para verificar que la cadena no está demasiado apretada intente desplazarla con la mano. Si la cadena se atora o cuesta trabajo moverla hay que aflojar levemente las tuercas de montaje y girar el tornillo de tensión sólo 1/4 de vuelta. Levante la punta de la barra y apriete las tuercas de montaje antes de revisar de nuevo la tensión de la cadena.

- Para revisar la tensión de la cadena dilatada por el calor producido por el corte, la punta plana de la llave de combinación debe introducirse entre la parte inferior de la barra y uno de los eslabones de la cadena para verificar que la holgura sea de 1,25 mm (0,05").



ESPAÑOL

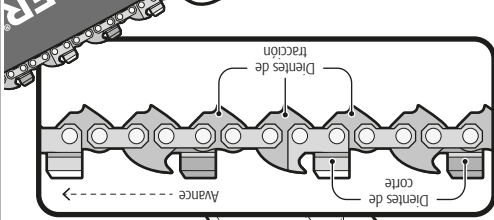
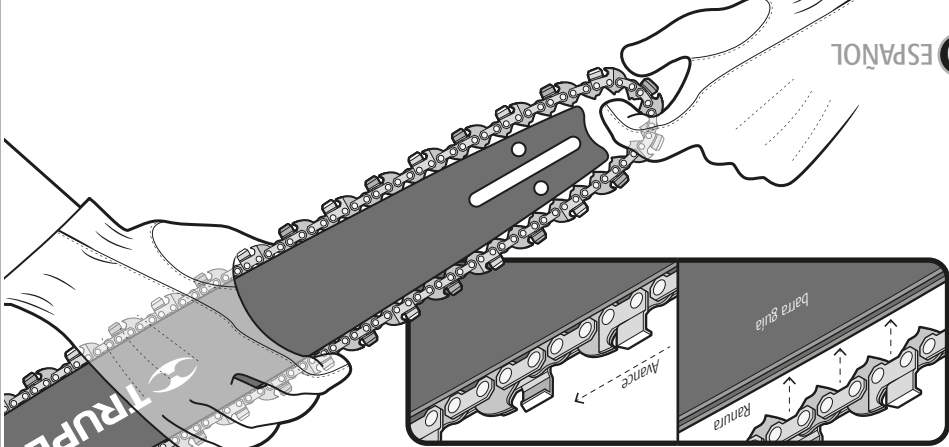
11

1,25 mm (0,05")

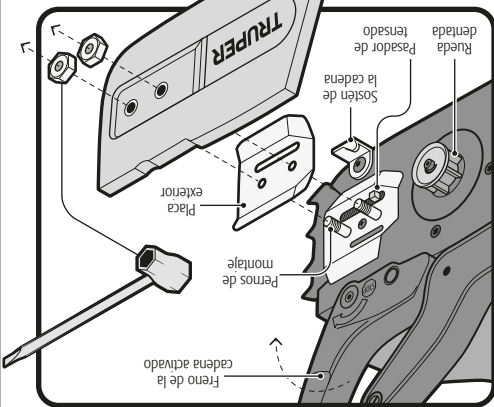
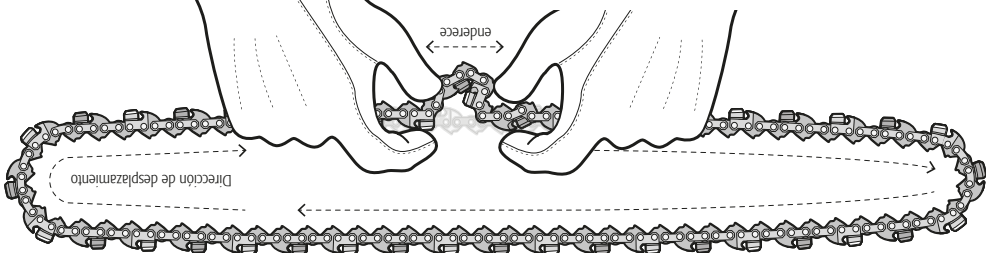
2

Tornillo de tensión de la cadena

1



- Extienda la cadena en una superficie plana y limpia formando un ovalo junto a la barra guía y enderece cualquier eslabón retorcido. Los dientes de corte deben de estar en la dirección de desplazamiento de la cadena, de lo contrario invierta la posición de la cadena.
- Coloque los dientes de tracción de la cadena en la ranura de la barra.
- Acomode la cadena de tal forma que quede holgada en la parte posterior de la barra.



**ADVERTENCIA** • Nunca arranque el motor sin antes haber instalado la barra guía, la cadena de corte, la cubriera de la barra y el tambor del clutch. Sin todos estas piezas en su lugar, el clutch puede salir disparado o estallar exponiendo al operador a una lesión seria.

• Coloque el interruptor en la posición de apagado.

• Tire del freno de la cadena hacia atrás para asegurarse de que está en posición de funcionamiento (consulte la página 8).

**ATENCIÓN** • Utilice guantes protectores para trabajar pesado para manipular la cadena con seguridad y evitar cortes.

- Retire las tuercas para montaje de la barra con ayuda de la llave de combinación o de una llave hexagonal de 5/8" (16 mm).
- Retire la cubriera del clutch y la placa exterior de la barra guía.

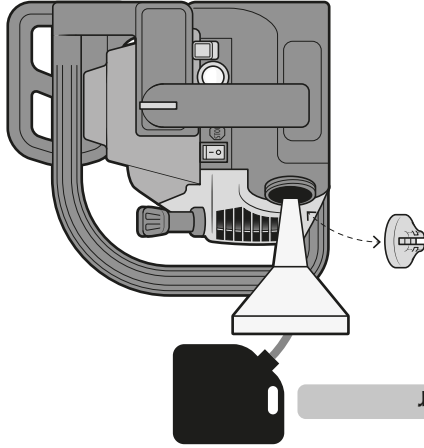
## Montaje de la barra y la cadena

# Abastecimiento de combustible y aceite



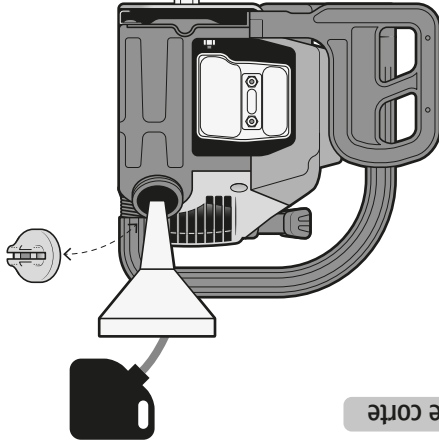
## Abastecimiento de combustible para el motor

- Siga las normas de seguridad para el manejo de combustible (página 5).
- Recueste la motosierra de costado para que las tapas de los tanques de combustible y aceite queden hacia arriba.
- Limpie la superficie alrededor de la tapa del tanque de combustible para evitar su contaminación.
- Afloje lentamente la tapa del tanque de combustible.
- Teniendo cuidado de evitar derrames vierta la mezcla de combustible en el tanque. **¡ATENCIÓN!** Siga las especificaciones del combustible (página 3).
- Antes de tapar el tanque de combustible revise y limpie las juntas.
- Coloque de inmediato la tapa del tanque de combustible y apriételo con la mano.
- Limpie todo derrame de combustible.



## Abastecimiento de aceite para barra y cadena de corte

- Use aceite para barras, cadenas y sus sistemas de lubricación formulado para desempeñarse en una amplia gama de temperaturas sin requerir ninguna dilución (similar a SAE 15W-40 o SAE 10W-30).
- La motosierra debe gastar aproximadamente un tanque de aceite por cada tanque de combustible.
- **¡ATENCIÓN!** No use aceite sucio, usado o contaminado de ninguna forma. Puede dañarse la bomba de aceite, la barra o la cadena.
- Recueste la motosierra de costado para que las tapas de los tanques de combustible y aceite queden hacia arriba.
- Limpie la superficie alrededor de la tapa del tanque de aceite para evitar su contaminación.
- Afloje lentamente la tapa del tanque de aceite.
- Teniendo cuidado de evitar derrames el aceite en el tanque.
- Antes de tapar el tanque de aceite revise y limpie las juntas.
- Coloque de inmediato la tapa del tanque de aceite y apriételo con la mano.
- Limpie todo derrame de aceite.





Freno de la cadena

- El freno de la cadena (A) tiene la función de detener con rapidez el desplazamiento de la cadena y brindar protección a la mano en caso de un contragolpe (consulte la página 5). Esta diseñado considerando el movimiento predecible del contragolpe, que lanza la barra guía hacia arriba y hacia el operador, de manera que cuando el freno es empujado por la mano izquierda la cadena se detiene inmediatamente.

**⚠ ATENCIÓN**

- Pruebe el freno de la cadena cada vez que encienda la motosierra y antes de comenzar a cortar.

- Con el motor en marcha y apretando el gatillo

- acelerador empuje con el dorso de la mano izquierda el freno de la cadena hacia la barra guía.

**⚠ ATENCIÓN**

Cuando lo haga NO suelte el mango delantero, sólo gire su mano izquierda hacia adelante hasta hacer contacto con el freno y empujarlo.

- Si por alguna razón el freno no detiene la cadena, NO opere la motosierra, apáguela y llévela a reparar a un Centro de Servicio Autorizado TRUPER.

- Si el freno funciona correctamente la cadena de corte se detendrá de inmediato.

Para poner el freno en posición de funcionamiento de nuevo, sostenga la parte superior del freno de la cadena y tire hacia atrás hasta escuchar un chasquido.

- **⚠ ADVERTENCIA** Recuerde que el freno de la cadena no evita el contragolpe, es un dispositivo de seguridad para evitar posibles lesiones después de producir un contragolpe.

- **⚠ ADVERTENCIA** Recuerde que incluso con el mantenimiento adecuado, en condiciones de uso de campo el funcionamiento del freno de la cadena no puede considerarse totalmente seguro. Manténgase alerta en todo momento, utilice técnicas de corte adecuadas y siempre utilice el resto de los dispositivos de seguridad.

Protector antirretroceso

- La punta de la barra guía, zona que genera contragolpes al hacer contacto con un obstáculo, cuenta con una protector antirretroceso (B).

- El protector siempre debe quedar del lado de la cubierta de la barra y cadena para evitar contragolpes durante cortes horizontales al ras del piso.

- **⚠ ADVERTENCIA** Personas inexpertas jamás deben operar la motosierra sin el protector antirretroceso colocado en la punta de la barra.

- **⚠ PELIGRO** Sólo si cuenta con experiencia profesional y utiliza las técnicas adecuadas puede retirar el protector para pasar la punta de la barra por el corte, y volver a montar la protección tan pronto como terminen de efectuar tales cortes.

- Este tipo de cadena cuenta con dientes limpiadores (calibres de profundidad) situados adelante de cada diente de corte para evitar que estos entren demasado en la madera y se abasquen generando un contragolpe.

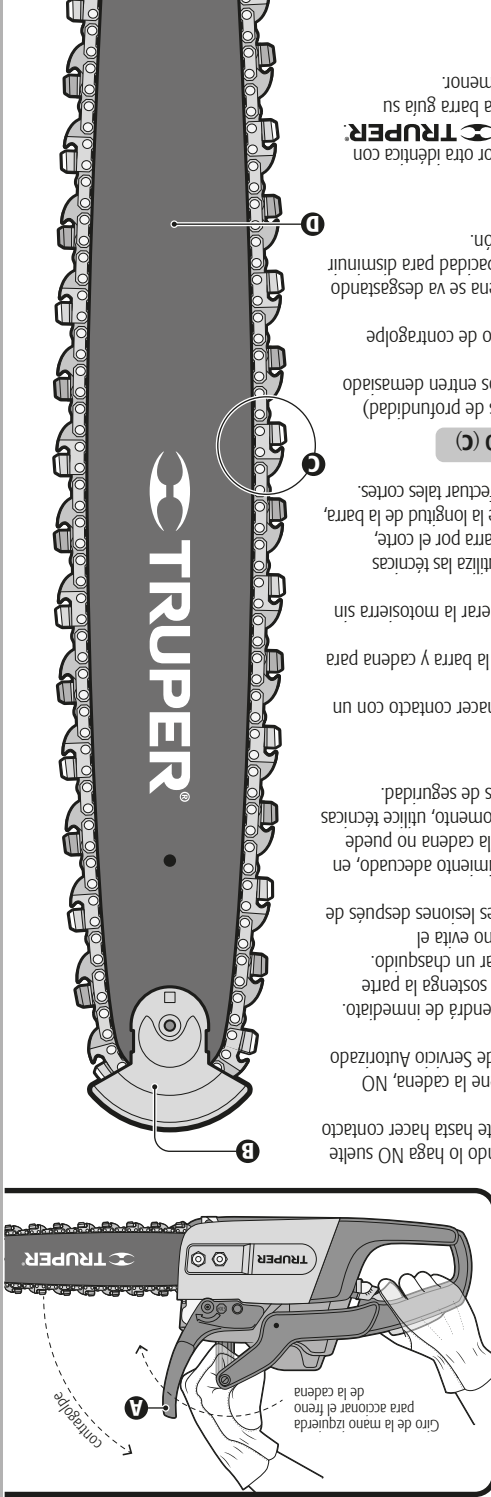
- **⚠ ADVERTENCIA** Sólo utilice cadenas certificadas como de contragolpe adecuadas para sustituir las cadenas gastadas.

- **⚠ ADVERTENCIA** Considere que a medida que la cadena se va desgastando por el uso normal o el proceso de afilado va perdiendo su capacidad para disminuir la posibilidad de un contragolpe y debe tener mayor precaución.

Barra guía

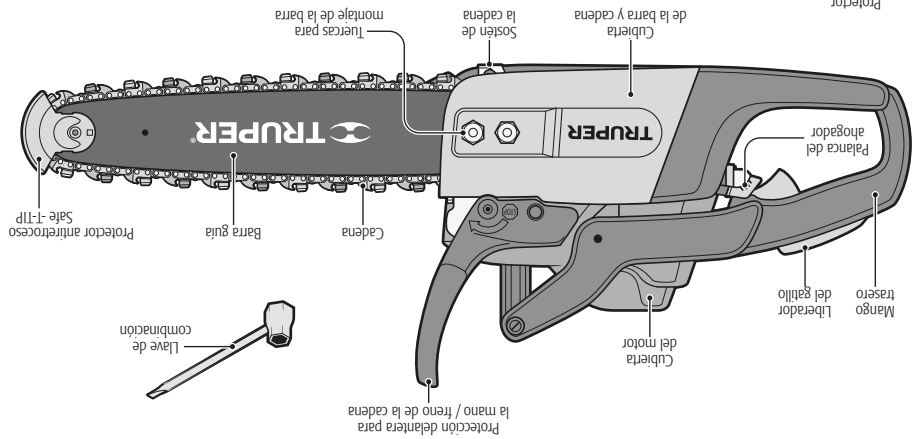
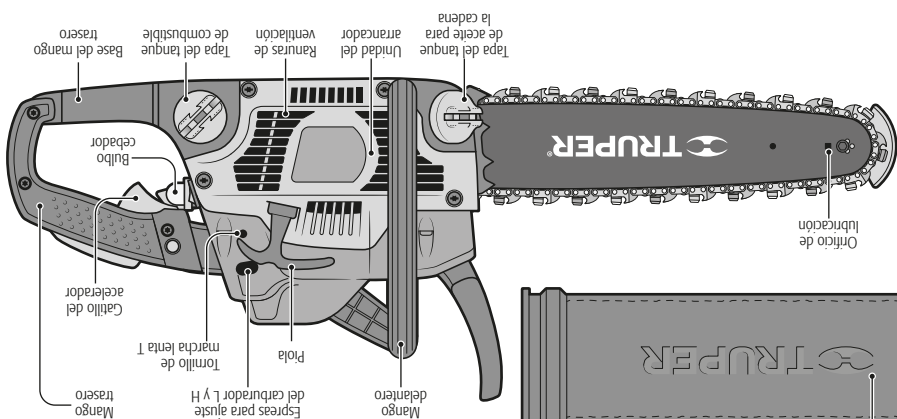
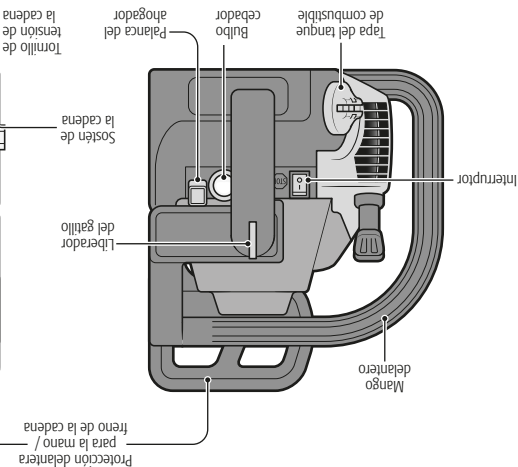
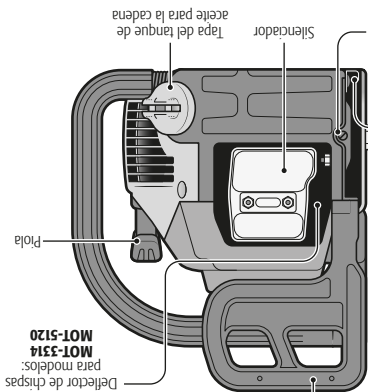
- **⚠ ADVERTENCIA** Reemplace las barras guía (D) sólo por otra idéntica con protector para evitar contragolpes montada en la punta marca TRUPER.

- **⚠ ATENCIÓN** Entre menor sea el radio de la punta de la barra guía su capacidad de disminuir la posibilidad de un contragolpe será menor.



vista frontal

vista posterior



retirada considerando la caída del árbol.  
de trabajo, los pies bien firmes sobre el piso y una ruta de  
• No comience a cortar hasta que tenga despejada el área  
y con el equipo de seguridad adecuada.  
calificación o puede operar la motosierra suabido en un árbol

encuentra parada en una superficie inestable como  
firmemente en el piso. No opere la motosierra si se  
• **ADVERTENCIA** - Mantenga ambos pies apoyados  
contacto con algún objeto antes de arrancar el motor.  
• Asegúrese de que la cadena de corte no esté en

zona de talá.  
menos el doble de la altura de los árboles más altos en la  
operar la motosierra, una distancia segura es de cuando  
aun más lejos del área de trabajo antes de arrancar y  
• Asegúrese de que transeúntes o animales se encuentren  
segura es de 4,5 metros (15 pies) entre los trabajadodores.  
motosierra mientras la arranca y opera, una distancia

• Mantenga alejados a sus compañeros de trabajo de la  
motosierra (15 pies) entre los trabajadodores.  
segura es de 4,5 metros (15 pies) entre los trabajadodores.  
motosierra mientras la arranca y opera, una distancia  
• Asegúrese de que transeúntes o animales se encuentren  
aun más lejos del área de trabajo antes de arrancar y  
operar la motosierra, una distancia segura es de cuando  
menos el doble de la altura de los árboles más altos en la  
zona de talá.

**Al operar la motosierra**

una área abierta y bien ventilada.  
• Asegúrese de que el área de trabajo se encuentra en  
encuentren limpios, secos y libres de aceite o combustible.  
• Asegúrese de que los mangos de la motosierra se  
dispositivo que no esté especificado en este instructivo.

• No encienda la motosierra si tiene cualquier accesorio o  
• **TRUPER** para solucionar el problema  
motosierra y acuda a un Centro de Servicio Autorizado  
motosierra y acuda a un Centro de Servicio Autorizado  
detiene al soltar el gatillo del acelerador apague la  
Si después de ajustar el carburador la cadena no se

la cadena no se detiene ajuste el carburador (página 20).  
cuando se suelte el gatillo del acelerador. En caso de que  
• Asegúrese de que la cadena de corte deje de moverse  
ajustada o no está armada completamente de manera

perfectas condiciones. No la encienda si se encuentra mal  
ajustada o no está armada completamente de manera  
ajustada o no está armada completamente de manera  
ajustada o no está armada completamente de manera

• Asegúrese de que la motosierra se encuentre en  
corte en movimiento. Recójase el cabello para que quede  
ropa holgada que pueda ser atrapado por la cadena de  
• **ADVERTENCIA** - Retírese cualquier accesorio o

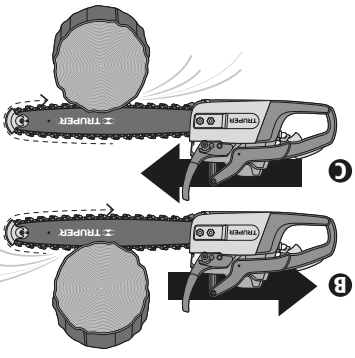
están recomendados.  
o chaperarías, así como carreta completa de visión amplia  
y la cabeza. Los overoles, pantalones vaqueros y zañones  
lateral bajo la norma ANSI Z87.1, protección para los ojos  
gafas de seguridad o anteojos protectores con protección  
antideslizantes, guantes protectores para trabajo pesado,  
ropa ajustada, pantalones gruesos, botas de seguridad

• Equípese con ropa adecuada para operar la motosierra:  
alguno droga, alcohol o medicamento.  
cansado, enfermo, o se encuentre bajo los efectos de  
• **PELIGRO** - Nunca utilice la motosierra cuando esté

Antes de operar la motosierra

Antes de operar la motosierra

Antes de operar la motosierra



originar el estallido del mismo.)  
puede causar un daño estructural, lo cual puede  
desmontar o sostener el volante con el fin de retirar el  
(Por ejemplo, si se utilizan herramientas inadecuadas para  
puede ocasionar un accidente de consecuencias fatales  
altamente capacitado. Una tarea de servicio mal realizada  
motosierra debe de ser realizado solo por personal

• El servicio y reparación de la  
atención.  
motosierra. NO deje el motor funcionando sin prestarle  
freno de la cadena antes de poner en reposo la

• **ADVERTENCIA** - Apague el motor y aplique el  
alejado del cuerpo.  
Barra guía hacia atrás y enfundada y con el silenciador

• Siempre traslade la motosierra con el  
motor apagado y el freno de la cadena de corte puesto, la

**Después de operar la motosierra**

(superior o inferior) que se esté utilizando para cortar.  
de la cadena, que depende del borde de la barra guía  
alejada hacia el tronco (C) según la dirección del movimiento  
la motosierra puede ser empujada hacia el operador (B) o

• **ADVERTENCIA** - Mantenga atención a la reacción de la  
motosierra al cortar troncos grandes, por la fuerza de reacción  
trayectoria de la rama.  
en consideración para estar en todo momento fuera de la

• **ADVERTENCIA** - Tenga extrema precaución al  
y ser lanzado hacia usted con fuerza.  
delgado puede quedar atrapado en la cadena de la sierra  
broza pequeña y árboles jóvenes, ya que el material

• **PELIGRO** - Tenga extrema precaución al cortar  
menos de 75 mm [3"] de diámetro).  
• No corte entredaderas ni broza demasiado pequeña (de  
quemadura seria.

• Mantenga todas las partes del cuerpo alejadas de la  
silenciador. De lo contrario puede producirse una  
cadena de corte cuando esté funcionando el motor.  
• Mantenga todas las partes del cuerpo alejadas de la  
operador, y demás personas presentes.

• **PELIGRO** - Nunca opere la motosierra con una  
sola mano. De lo contrario pueden resultar lesionados el  
operador, y demás personas presentes.

• **PELIGRO** - Nunca opere la motosierra con una  
sola mano. De lo contrario pueden resultar lesionados el  
operador, y demás personas presentes.

**Advertencias de Seguridad para uso de motosierras**

# Advertencias de Seguridad para uso de motosierras



## Para evitar contragolpes

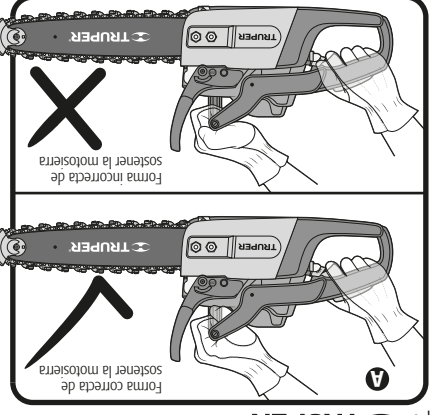
Por contragolpe nos referimos al movimiento repentino y con fuerza que sufre la herramienta en funcionamiento hacia afuera del corte en dirección del operador, que puede hacerle perder el control o incluso provocarle una lesión corporal seria. Por lo regular es ocasionado cuando la punta de la barra guía toca un objeto o la cadena de corte es atrapada por el material a cortar. Para evitarlo se deben tomar las siguientes precauciones:

**ADVERTENCIA** • Sostenga firmemente con ambas manos la motosierra cuando esté funcionando el motor. Coloque la mano derecha en el mango trasero y la izquierda en el mango delantero, ambos mangos deben estar rodeados por los dedos con los pulgares doblados bajo los mangos (A). Esta forma de sujeción es la que tiene menos probabilidad de fallar ante un contragolpe. Mantener los pulgares del mismo lado del resto de los dedos es peligroso al disminuir en gran medida el control de la motosierra ante un contragolpe.

• Opere la motosierra con el brazo izquierdo rígido y totalmente extendido.

**PELIGRO** • No permita que la punta de la barra guía entre en contacto con el material a cortar ni con ninguna otra cosa con la que pueda pegarse al estar operando la motosierra.

- Siempre corte con el motor funcionando a máxima velocidad. Oprima completamente el gatillo del acelerador y mantenga una velocidad de corte estable.
- No trate de alcanzar o cortar objetos fuera de su alcance, ni arriba de la altura del pecho.
- Mantenga la cadena de corte afilada y en óptimas condiciones.
- Solo utilice barras y cadenas de repuesto especificadas por TRUPER.



## Generales

- Recuerde que la seguridad es una combinación de sentido común, mente alerta y conocimiento del funcionamiento de la herramienta.
- ATENCIÓN** • Lea cuidadosamente el instructivo antes de comenzar a utilizar la motosierra. Preste atención a las reglas de seguridad, a los símbolos de alerta y a los avisos de peligro, advertencia y atención del instructivo y de las etiquetas adheridas a la herramienta. Estas reglas de seguridad son para alertarlo y que pueda evitar posibles lesiones, incluso fatales; sin embargo no eliminan el peligro que implica una mala operación de la motosierra. Si utiliza correctamente la motosierra, y solo para los fines especificados, le brindará muchos años de servicio seguro y confiable.
- Familiarícese con la motosierra con ayuda de este instructivo, guárdalo en un lugar seguro y a la mano para poder consultarlo con frecuencia e instruir a futuros operadores de la motosierra. Aprenda sus usos, limitaciones, así como sus posibles peligros específicos.
- ADVERTENCIA** • Las motosierras están diseñadas exclusivamente para cortar madera, no intente cortar otro tipo de material.
- PELIGRO** • ¡Jamás permita que personas sin la instrucción adecuada operen la motosierra.
- Opere la motosierra solo cuando la visibilidad y las condiciones de luz sean adecuadas para ver claramente.
- Nunca fume cerca del combustible, ni de la zona en donde se abastezca de la gasolina, ni donde prepare la mezcla con el aceite, ni al operar la motosierra.
- Para reducir el riesgo de incendio o quemaduras maneje el combustible con cuidado, es muy inflamable.
- No permita que la gasolina o el aceite tengan contacto con la piel.
- Protéjase los ojos para evitar salpicaduras de la gasolina y el aceite. En caso de contacto accidental lávelos inmediatamente con agua limpia. Si persiste la irritación acuda a un médico.
- Mezcle y almacene el combustible en un recipiente diseñado para tal fin.
- Mezcle el combustible al aire libre lejos de cualquier chispa o llama.
- Antes de reabastecer la motosierra de combustible apague el motor, cóloquela en suelo despejado y espere a que el motor se enfríe.
- Limpie todo el combustible que pueda haber caído en la motosierra antes de operar.
- Revise si hay fugas de combustible, de ser así corríjalas antes de usar la motosierra, para evitar incendios o lesiones por quemadura.
- Aleje la motosierra por lo menos 9 metros (30 pies) del lugar de carga de combustible antes de arrancar el motor.
- Bajo ninguna circunstancia queme el combustible derramado para eliminarlo.

# Advertencias de Seguridad para uso de herramientas motorizadas



Mantenga su área de trabajo limpia, ordenada y bien iluminada.

**⚠ ATENCIÓN**

Áreas desordenadas y oscuras pueden provocar accidentes.



Nunca utilice el equipo en ambientes explosivos, o en presencia de líquidos inflamables.

**⚠ PELIGRO**

Aleje el equipo al menos 9 metros (30 pies) del lugar de recarga de combustible antes de arrancar el motor.



Mantenga a los niños y a otras personas a una distancia segura mientras utiliza el equipo.

**⚠ ADVERTENCIA**

Las distracciones pueden hacerle perder el control y provocar accidentes.



Evite hacer contacto con líneas y circuitos eléctricos.

**⚠ PELIGRO**

Ubique y evite todas las líneas y circuitos eléctricos, especialmente el cableado oculto.



Este siempre alerta, sea prudente y utilice el sentido común.

**⚠ ATENCIÓN**

No deje que la familiaridad con el uso del equipo lo distraiga mientras lo utiliza.



No utilice el equipo si está cansado, o bajo la influencia de drogas, alcohol o medicamentos.

**⚠ PELIGRO**

Un momento de distracción mientras utiliza el equipo puede provocar lesiones personales graves.



Utilice el equipo con sus guardas y protectores en su lugar y en buen estado.

**⚠ ADVERTENCIA**

De no hacerlo se expone a lesiones personales graves.



Nunca fuerce el equipo.

**⚠ ATENCIÓN**

Trabajar dentro del rango para el que fue diseñado asegura un mejor trabajo y es más seguro.



Guarde el equipo en un lugar seguro fuera del alcance de los niños.

**⚠ ADVERTENCIA**

Los equipos motorizados son peligrosos en manos inexpertas.



Utilice la indumentaria adecuada.

**⚠ ADVERTENCIA**

La ropa suelta, joyas o cabello largo pueden ser atrapados por las piezas móviles.



Mantenga las manos alejadas de las partes giratorias y/o móviles.

**⚠ ADVERTENCIA**

De no hacerlo se expone a lesiones personales graves.



No utilice el equipo en espacios encerrados.

**⚠ PELIGRO**

Para evitar respirar la acumulación de monóxido de carbono, gas indoloro tóxico y potencialmente mortal.



**Servicio y reparación**

Acuda siempre a un Centro de Servicio Autorizado **TRUPER** para utilizar piezas de repuesto idénticas y así mantener la seguridad de la herramienta.

No toque las partes con altas temperaturas.

La superficie del motor y del escape alcanzan altas temperaturas durante la operación del equipo.



Nunca tumbe cerca del combustible.

No tumbe cerca de la zona en donde se abastezca de combustible, ni al operar el equipo.

**⚠ PELIGRO**

Apáguelo después de operar y antes de colocarlo en un lugar seguro para evitar accidentes graves.

Nunca deje el equipo en marcha sin supervisión.

**⚠ ATENCIÓN**

Utilice sólo los accesorios o relaciones indicados en este instructivo o certificados por **TRUPER**.

Dele mantenimiento al equipo y cerciórese que se encuentra en condiciones óptimas antes de utilizarlo.

**⚠ ATENCIÓN**

Revise cuidadosamente sus partes móviles, su alineación y montaje. Hágalo periódicamente.



Busque cualquier elemento dañado o pieza que no funcione adecuadamente para su inmediata reparación.

en un Centro de Servicio Autorizado **TRUPER**.

**⚠ PELIGRO**

Herramientas adicionales o llaves colocadas en piezas giratorias del equipo puede provocar lesiones personales graves.

Retire cualquier llave de ajuste antes de encender el equipo.

**⚠ ADVERTENCIA**

Asegúrese de que el motor del equipo esté apagado antes de dejarlo o darle mantenimiento.



Evite encendidos accidentales.

No sobre extienda su campo de acción.

**⚠ ATENCIÓN**

Un buen apoyo y equilibrio permiten un mejor control del equipo en situaciones inesperadas.

Nunca utilice el equipo si el interruptor no funciona o no está debidamente ensamblado.

**⚠ ADVERTENCIA**

De hacerlo se expone a lesiones personales graves, repárelo inmediatamente en un Centro de Servicio Autorizado **TRUPER**.

Apague el equipo antes de hacer ajustes, cambiar sus accesorios o guardarlos.

**⚠ ADVERTENCIA**

Asegúrese de que el interruptor del equipo esté en posición de apagado.



conservablemente el riesgo de lesiones.

para los oídos y guantes de seguridad, reduce

zapatos de seguridad antideslizantes, casco, protección

Usar protección para los ojos, mascarillas anti polvo.

# Especificaciones técnicas



**MOT-3314** **MOT-4516** **MOT-4518** **MOT-4520** **MOT-5120**

Código • 16615 16620 16625 16627 16628

Descripción • Motosierra

Peso neto (sin la barra) • 4,6 kg 5 kg 5,3 kg

Longitud de la barra • 35 cm (14") 40 cm (16") 46 cm (18") 51 cm (20")

Paso de la cadena • 9,5 mm (3/8") 8,2 mm (0,325")

Calibre de la cadena • de 6 dientes 1,3 mm (0,05")

Rueda dentada de impulsión • de 7 dientes

Cilindrada del motor • 33 cm<sup>3</sup> 45 cm<sup>3</sup> 51 cm<sup>3</sup>

Potencia nominal del motor (ISO 7293) • 1 119 W 1 640 W 2 013 W

Velocidad max. del motor • 12 500 r/min

Velocidad de la cadena • 23,8 m/s 24,1 m/s

Marcha lenta del motor • De 2 600 r/min a 3 400 r/min

Tanque de combustible • 575 ml (19,4 oz)

Tanque de aceite de cadena • 350 ml (11,83 oz)

Vibración mango delantero (ISO 7505) • 4 m/s<sup>2</sup> 5 m/s<sup>2</sup> 7,7 m/s<sup>2</sup>

Ciclo de trabajo • 30 minutos de descanso por cada tanque consumido. Máximo 6 horas diarias.

# Especificaciones de combustible

- La motosierra tiene un motor de 2 tiempos enfriado por aire que utiliza una mezcla de gasolina sin plomo y aceite automotriz de alta calidad con estabilizador de combustible especificado para motor de dos tiempos enfriado por aire.
- El motor está certificado para funcionar con gasolina sin plomo para vehículos con un octanaje de 87 ((R+M)/2) o más.
- No use ningún tipo de gasolina premezclada con aceite adquirida en gasolineras, como la destinada a motocicletas.
- NO use aceite de uso automotor ni aceite para motores fuera de borda de 2 tiempos.
- La relación de la mezcla debe de ser de 50 tantos de gasolina por 1 de aceite (proporción 50:1). Prepare la mezcla en un recipiente aprobado para gasolina. Siempre mezcle bien antes de verterlo en el tanque del motor.
- Nunca fume cerca del combustible, ni de la zona en donde se abastezca de la gasolina, ni donde prepare la mezcla con el aceite, ni al operar la motosierra.



**ADVERTENCIA** No utilice mezcla de combustible almacenada durante mas de 15 días. Haga la mezcla en pequeñas cantidades.



Para alargar la vida útil del motor use aceite sintético **TRUPER** para motores de dos tiempos (ACES-2, ACES-5 o ACES-20).



-  Realice **MANTENIMIENTO** periódico a su máquina (página 17).
-  **SIEMPRE** opere su motosierra a **MÁXIMA POTENCIA** con el gatillo **TOTALMENTE** apretado.
-  No usar **MEZCLA** de combustible de más de 15 días.
-  Utilice gasolina mezclada con **ACEITE** para motor de **2 TIEMPOS**. ¡Una mezcla incorrecta puede provocar que la motosierra se desbale, ocasionando costosas reparaciones!

 +  = **50:1**  
 4 tapas de aceite de Gasolina + 1 litro Mezcla

# Recomendaciones de uso y cuidados












Para poder sacar el máximo provecho de la herramienta, alargar su vida útil, hacer válida la garantía en caso de ser necesario y evitar riesgos o lesiones fatales, es fundamental leer y comprender este instructivo por completo antes de usar la herramienta.

Guarde este instructivo para futuras referencias.

Los gráficos de este instructivo son para referencia, pueden variar del aspecto real de la herramienta.

## ¡ATENCIÓN

-  Advertencias de Seguridad para uso de motosierras.
-  Advertencias de Seguridad para uso de herramientas motorizadas.
-  3 Especificaciones técnicas.
-  3 Especificaciones de combustible.
-  4
-  5 para uso de motosierras.
-  7 Partes.
-  8 Dispositivos de seguridad.
-  9 Abastecimiento de combustible y aceite.
-  10 Montaje de la barra y la cadena.
-  12 Encendido.

-  12 Encendido.
-  13 Apagado.
-  13 Operación de corte.
-  14 Tala y Tronzado.
-  16 Desarmado y Poda.
-  17 Ajustes y Mantenimiento.
-  21 Solución de problemas.
-  23 Centros de Servicio Autorizados.
-  24 Póliza de Garantía.

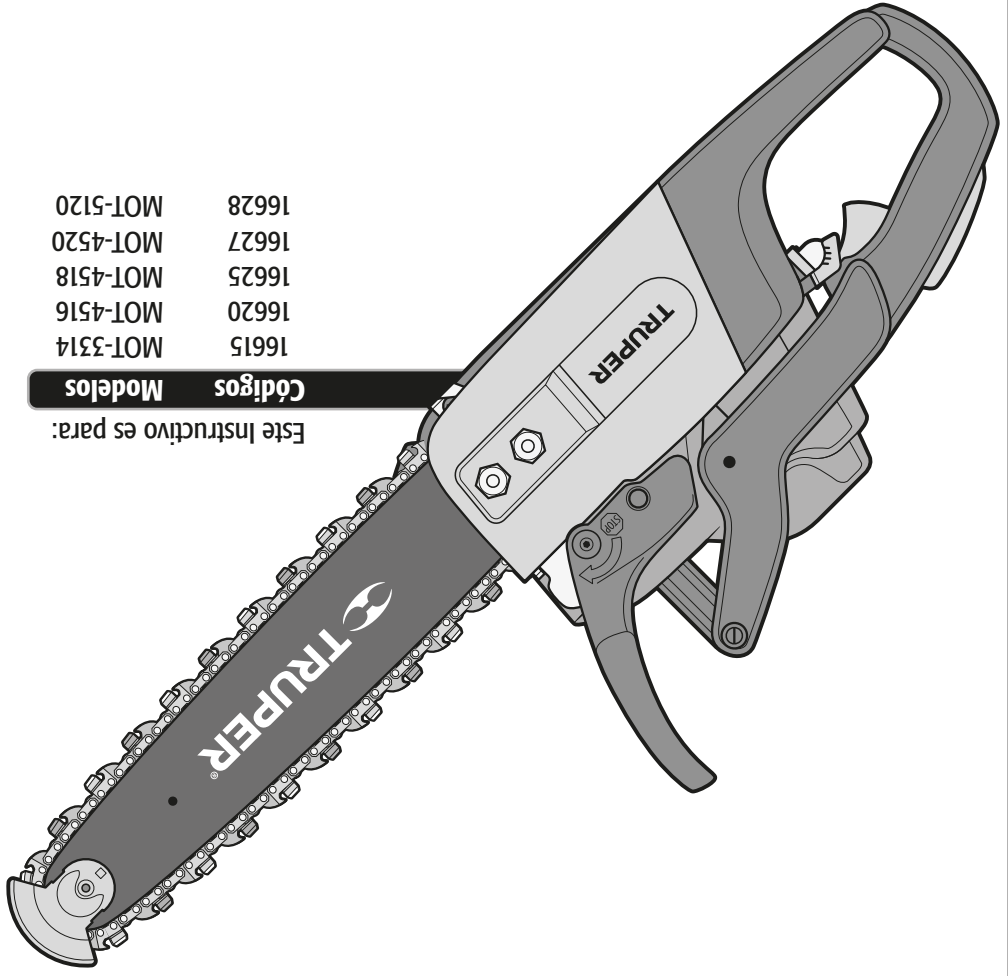


Lea este instructivo por completo antes de usar la herramienta.

**¡ATENCIÓN**

- MOT-5120 16628
- MOT-4520 16627
- MOT-4518 16625
- MOT-4516 16620
- MOT-3314 16615

**Modelos**      **Códigos**  
Este instructivo es para:



# Motosierra

Instructivo de

Velocidad  
**12500 r/min**